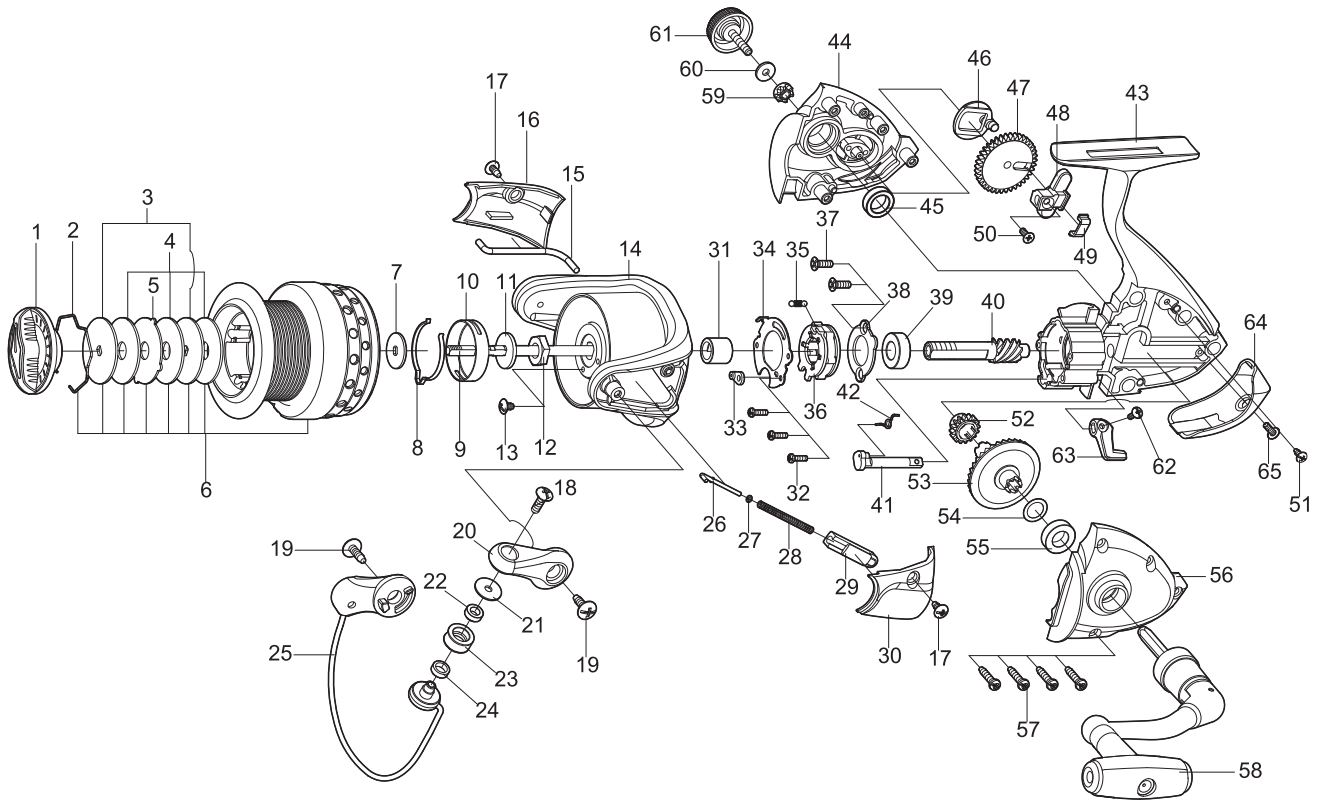




SPINNING REEL

DYNASPIN

GQ3000 / GQ3500



Key NO.	Parts No.	Parts name	Key NO.	Parts No.	Parts name
1	2YD-089-04	DRAG KNOB ASSEMBLY	35	2Q2-016-01	SPRING
2	2E4-034-01	DRAG WASHER RETAINER	36	2YZ-014-01	ONE-WAY CLUTCH BEARING ASSEMBLY
3	2W2-071-01	KEY WASHER	37	2E2-052-01	F26M-080 SCREW
4	2W1-226-01	080-260 WASHER	38	2F5-193-01	BEARING RETAINER
5	2W3-035-01	EARED WASHER	39	2Z1-003-05	714-5 BALL BEARING
6	2YT-415-04	SPOOL TOTAL ASSEMBLY	40	2G2-155-01	PINION GEAR
7	2W2-020-01	KEY WASHER	41	2A2-031-01	ANTI-REVERSE CAM
8	2L3-015-01	CLICK LEAF SPRING	42	2Q3-009-01	ANTI-REVERSE SPRING
9	2M3-120-01	MAIN SHAFT	43	2YB-262-06	BODY ASSEMBLY
10	2F8-019-02	CLICK LEAF SPRING HOLDER	44	2B2-110-06	BODY COVER(R)
11	2W2-015-01	KEY WASHER	45	2Z1-010-05	812-3.5 BALL BEARING
12	2E3-007-01	ROTOR NUT	46	2M2-016-01	OSCILLATING CAM
13	2E1-036-01	B26-040 SCREW	47	2G3-081-01	OSCILLATING GEAR
14	2R1-156-06	ROTOR	48	2M1-057-01	OSCILLATING SILDER
15	2R5-194-01	BAIL PAWL	49	2E5-051-01	OSCILLATING SILDER RETAINER
16	2R4-220-01	BAIL TRIP COVER	50	2E2-009-02	F23M-060 SCREW
17	2E1-015-02	B26-060 SCREW	51	2E1-020-02	B22-055 SCREW
18	2E2-007-01	B30M-100 SCREW	52	2G3-068-01	DRIVE PINION
19	2E1-010-01	b30-100 SCREW	53	2G1-141-01	DRIVE GEAR
20	2R2-062-03	BAIL ARM	54	2W1-019-00	071-103 WASHER
21	2C1-034-01	LINE ROLLER COLLAR	55	2Z1-039-05	713-4 BALL BEARING
22	2Z1-012-05	407-2.5 BALL BEARING	56	2B2-111-06	BODY COVER(L)
23	2R6-020-02	LINE ROLLER	57	2E1-005-02	A26-120 SCREW
24	2C2-032-01	LINE ROLLER BUSH	58	2YH-347-01	HANDLE ASSEMBLY
25	2YL-146-04	BAIL ASSEMBLY	59	2C3-042-01	HANDLE SCREW SLEEVE
26	2R5-135-01	BAIL TRIP SHAFT	60	2W1-004-01	029-080 WASHER
27	2W1-199-01	015-027 WASHER	61	2H6-017-02	HANDLE SCREW CAP
28	2Q1-096-01	BAIL SPRING	62	2E2-013-02	B20M-060 SCREW
29	2C2-119-01	BAIL SPRING GUIDE	63	2A1-033-04	ANTI-REVERSE LEVER
30	2R4-184-01	BAIL SPRING BOVER	64	2F5-389-04	REAR COVER
31	2A4-021-01	ONE-WAY CLUTCH INNER TUBE	65	2E2-051-01	B23M-060 SCREW
32	2E2-047-02	A20M-065 SCREW	GQ3500	SPECIAL PARTS	
33	2F8-079-01	ANTI-REVERSE SPRING ANCHOR	6	2YT-437-04	SPOOL TOTAL ASSEMBLY
34	2F5-192-01	ROLLER CLUTCH RETAINER			