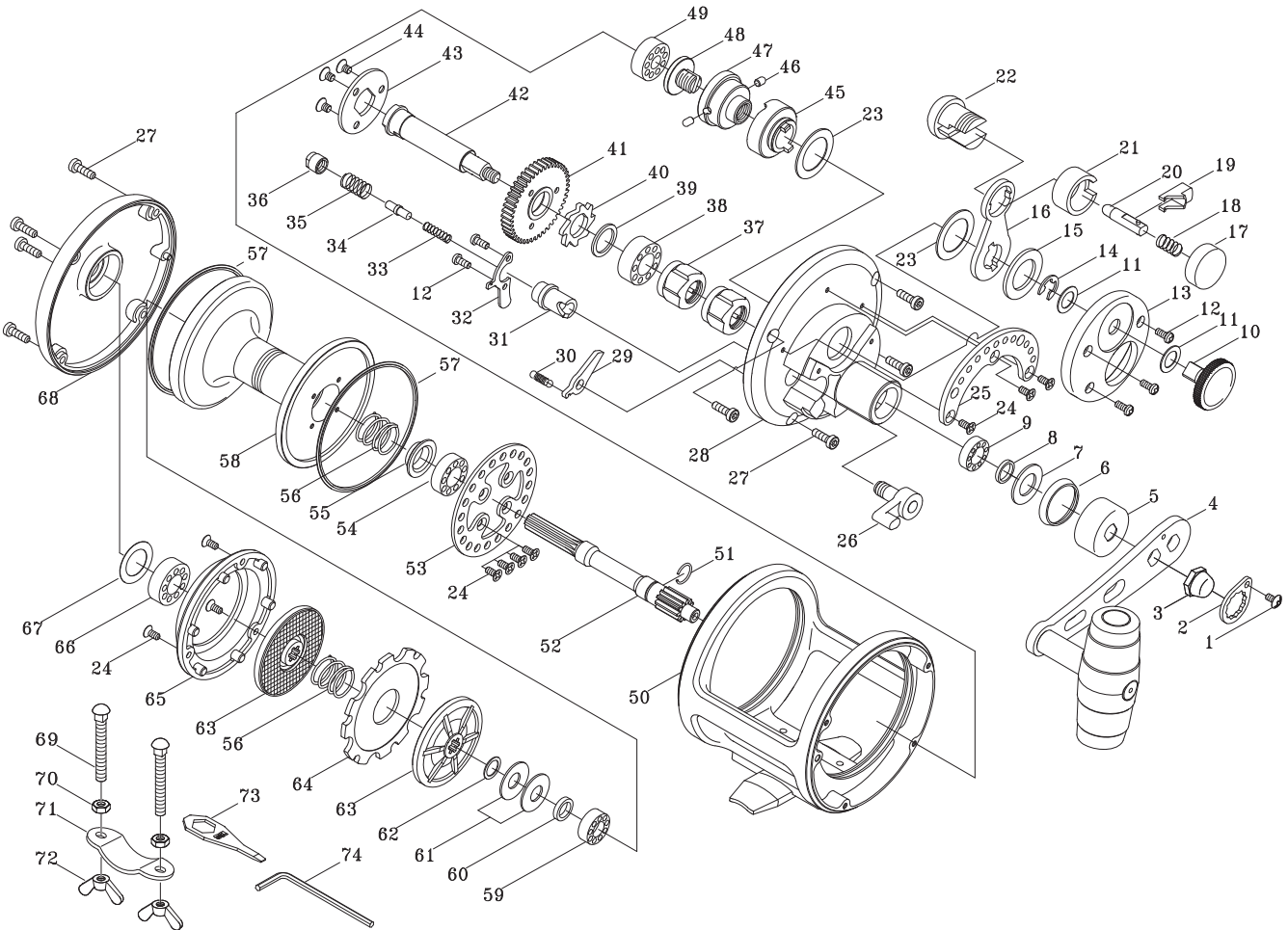


SALTWATER REEL

ST558

Please order by parts number, not key number
Bitte, Best.-Nr. angeben (Nicht "key" -nr.)
Veuillez indiquer le numero de la piece (Non "key" no.)



Key NO.	Parts No.	Parts name	Key NO.	Parts No.	Parts name
1	2E2-006-01	B26M-050 SCREW	38	2Z1-034-01	1019-7 BALL BEARING
2	2F6-043-01	ROTOR NUT HOLDING PLATE	39	2W1-152-01	111-146 WASHER
3	2E3-027-01	HANDLE NUT	40	2A3-022-01	RATCHET
4	2YH-066-01	HANDLE ASSEMBLY	41	2G1-022-01	DRIVE GEAR
5	2F5-062-01	DRIVE GEAR SHAFT COVER	42	2M3-035-01	GEAR SHAFT
6	2E9-006-01	WATER PROOF RING	43	2F6-039-01	COUPLING PLATE
7	2W1-154-01	101-180 WASHER	44	2E2-058-01	F30M-045 SCREW
8	2C1-075-01	COLLAR	45	2A2-022-01	DRAG CAM
9	2Z1-023-02	814-4 BALL BEARING	46	2P1-018-01	DRAG CAM PIN
10	2D1-031-01	PRESET DRAG KNOB	47	2F8-017-01	BALL BEARING SET
11	2W1-077-01	075-140 WASHER	48	2E0-017-01	PRESET SCREW
12	2E2-037-01	A26M-060 SCREW	49	2Z1-036-01	617-6 BALL BEARING
13	2F5-121-01	FIGHTING LEVER COVER	50	2YB-082-01	BODY ASSEMBLY
14	2E5-018-01	E6.0 RETAINER	51	2E4-025-01	BEARING RETAINER
15	2W1-153-01	140-226 WASHER	52	2G2-062-01	PINION GEAR
16	2D4-013-01	DRAG LEVER	53	2F3-028-01	CLICK PLATE
17	2F5-120-01	BUTTON CAP	54	2Z1-035-01	917-5 BALL BEARING
18	2Q1-028-01	SPOOL SHAFT SPRING	55	2C1-050-01	PRESSURE RELEASE SPRING COLLAR
19	2S3-014-01	BUSH BUTTON	56	2Q1-068-01	PRESSURE RELEASE SPRING
20	2YP-001-01	CLICK PIN ASSEMBLY	57	2E9-011-01	WATER PROOF RING
21	2C1-074-01	SPACER	58	2S1-096-01	SPOOL
22	2F8-076-01	CLICK HOLD	59	2Z1-003-03	714-5 BALL BEARING
23	2W1-074-01	147-226 WASHER	60	2C1-072-01	COLLAR
24	2E2-014-02	F26M-060 SCREW	61	2L1-006-01	SPRING WASHER
25	2F5-066-01	DRAG LEVER QUADRANT	62	2W1-078-01	072-100 WASHER
26	2YF-077-01	CLICK BUTTON ASSEMBLY	63	2YD-039-01	BRAKE DISC ASSEMBLY
27	2E2-064-01	h30M-100 SCREW	64	2W5-028-01	DRAG PLATE
28	2YF-039-01	RIGHT SIDE COVER ASSEMBLY	65	2F5-112-01	BRAKE DISC COVER
29	2A4-049-01	ANTI-REVERSE PAWL	66	2Z1-025-01	719-6 BALL BEARING
30	2Q2-009-01	CLICK PAWL SPRING	67	2W1-163-01	120-188 WASHER
31	2C1-054-01	CLICK PIN BUSHING	68	2YF-076-01	LEFT SIDE COVER ASSEMBLY
32	2F6-038-01	HOLDING PLATE	69	2E2-043-01	X50M-400 SCREW
33	2Q1-034-01	CLICK PIN SPRING	70	2E3-022-01	ROD CLAMP BOLT
34	2P1-019-01	HOLDER PIN	71	2F6-029-01	ROD CLAMP
35	2Q1-063-01	CLICK BUTTON SPRING	72	2E3-023-01	WING NUT
36	2E3-041-01	CLICK BUTTON NUT	73	2X3-004-02	WRENCH
37	2YZ-007-01	ONE-WAY CLUTCH BEARING ASSEMBLY	74	2X3-009-01	WRENCH