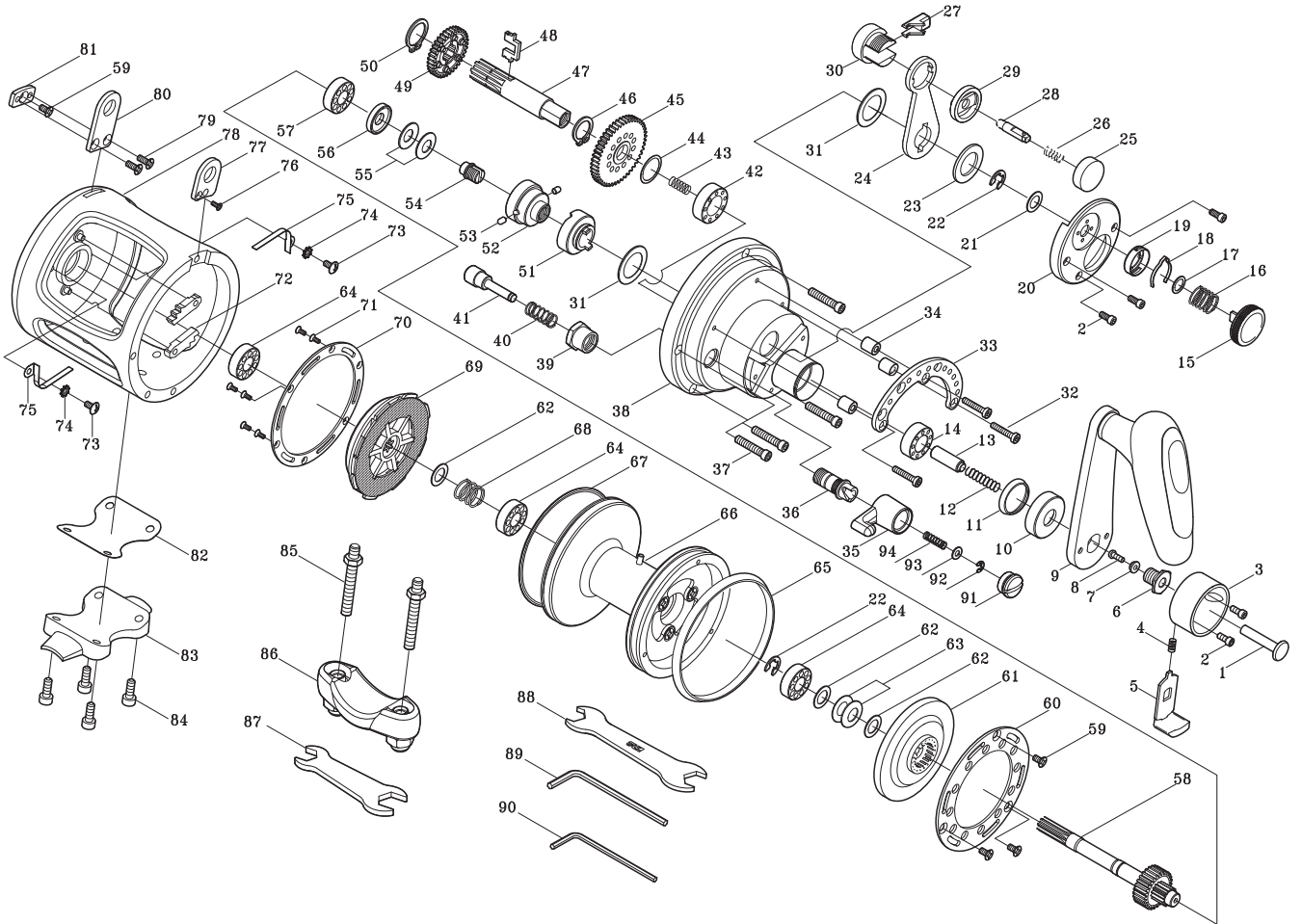


# SALTWATER REEL TICATEAM 20R/WTS (SILVER)

Please order by parts number, not key number  
 Bitte, Best.-Nr. angeben (Nicht "key" -nr.)  
 Veuillez indiquer le numero de la piece (Non "key" no.)



Key NO.	Parts No.	Parts name	Key NO.	Parts No.	Parts name
1	2S3-017-01	LOW SPEED BUTTON SHAFT	48	2A2-062-01	YOKE
2	2E2-078-01	h30M-070 SCREW	49	2YG-011-01	DRIVE GEAR B ASSEMBLY
3	2F8-077-01	VARIABLE SPEED BUTTON STAND	50	2E5-033-01	C15 RETAINER
4	2Q1-074-01	SLIDE PLATE SPRING	51	2A2-022-01	DRAG CAM
5	2S3-015-01	HI-SPEED SLIDE PLATE	52	2F8-086-01	BEARING HOLDER
6	2E0-021-01	HANDLE BOLT	53	2P1-018-01	DRAG CAM PIN
7	2C1-065-01	BUTTON SHAFT COLLAR	54	2E0-037-01	PRESET SCREW
8	2E2-031-01	A26M-075 SCREW	55	2L1-012-01	SPRING WASHER
9	2YH-172-02	HANDLE TOTAL ASSEMBLY	56	2C1-087-01	COLLAR
10	2F5-136-01	DRIVE GEAR SHAFT COVER	57	2Z1-036-05	617-6 BALL BEARING
11	2E9-012-01	WATER PROOF RING	58	2YG-010-01	PINION GEAR ASSEMBLY
12	2Q1-060-01	BUTTON SHAFT SPRING	59	2E2-056-01	F30M-060 SCREW
13	2P4-010-01	BUTTON SHAFT SPACER BAR	60	2F3-056-01	CLICK GEAR
14	2Z1-034-05	1019-7 BALL BEARING	61	2YD-062-01	BRAKE DISC ASSY(R)
15	2D1-031-02	PRESET DRAG KNOB	62	2W1-020-01	081-130 WASHER
16	2Q1-089-01	COMPRESSION SPRING	63	2L1-013-01	SPRING WASHER
17	2W1-182-01	071-100 WASHER	64	2Z1-040-05	819-6 BEARING
18	2L3-035-01	CLICK LEAF SPRING	65	2E9-023-01	WATER PROOF RING
19	2F8-085-01	CLICK LEAF SPRING HOLDER	66	2YS-166-03	SPOOL ASSEMBLY
20	2F5-253-01	FIGHTING LEVER COVER	67	2E9-022-01	WATER PROOF RING
21	2W1-077-01	075-140 WASHER	68	2Q1-088-01	DRAG SPRING
22	2E5-018-01	E6.0 RETAINER	69	2YD-061-01	BRAKE DISC ASSY(L)
23	2W1-153-01	140-226 WASHER	70	2F5-250-01	BRAKE DISC COVER
24	2D4-016-01	FIGHTING LEVER	71	2E2-030-02	F20M-050 SCREW
25	2F5-120-02	BUTTON CAP	72	2A4-059-02	ANTI-REVERSE PAWL
26	2Q1-028-01	BUSH BUTTON SPRING	73	2E2-004-01	B30M-060 SCREW
27	2S3-014-01	PUSH BUTTON	74	2E8-004-01	STARWASHER
28	2YP-004-01	CLICK PIN ASSEMBLY	75	2L5-015-01	PAWL SPRING
29	2C1-112-01	SPACER	76	2E2-068-02	F20M-065 SCREW
30	2F8-112-01	CLICK HOLD	77	2F6-081-02	HARNES LUG (R)
31	2W1-074-01	147-226 WASHER	78	2YB-155-07	BODY ASSEMBLY
32	2E2-077-01	h30M-160 SCREW	79	2E2-065-01	B26M-140 SCREW
33	2F5-252-01	DRAG LEVER QUADRANT	80	2F6-080-02	HARNES LUG (L)
34	2C1-073-01	QUADRANT SPACER	81	2W5-049-01	HARNES LUG(L) SPACER
35	2F7-009-01	CLICK SWITCH	82	2W5-027-01	STAND GASKET
36	2C1-086-02	CLICK TONGUE BUSHING	83	2F8-045-03	REEL FOOT
37	2E2-076-01	h40M-200 SCREW	84	2E2-062-01	H40M-110 SCREW
38	2YF-093-05	RIGHT SIDE COVER ASSEMBLY	85	2E0-038-01	CLAMP SCREW
39	2E3-067-01	CLICK BUSHING NUT	86	2YF-138-01	ROD CLAMP ASSEMBLY
40	2Q1-063-01	CLICK BUTTON SPRING	87	2X3-010-01	WRENCH
41	2P1-062-03	CLICK PIN	88	2X3-006-01	WRENCH
42	2Z1-037-05	1221-7 BALL BEARING	89	2X3-007-01	HEX WRENCH
43	2Q1-061-01	YOKE SPRING	90	2X3-009-01	HEX WRENCH
44	2W1-128-01	121-150 WASHER	91	2F5-335-01	CLICK SWITCH COVER
45	2G1-074-01	DRIVE GEAR A	92	2E5-006-01	E2.5 RETAINER
46	2E5-024-01	C12 RETAINER	93	2W1-204-01	034-065 WASHER
47	2M3-057-01	DRIVE SHAFT	94	2Q1-102-01	CLICK PLUNGER SPRING