

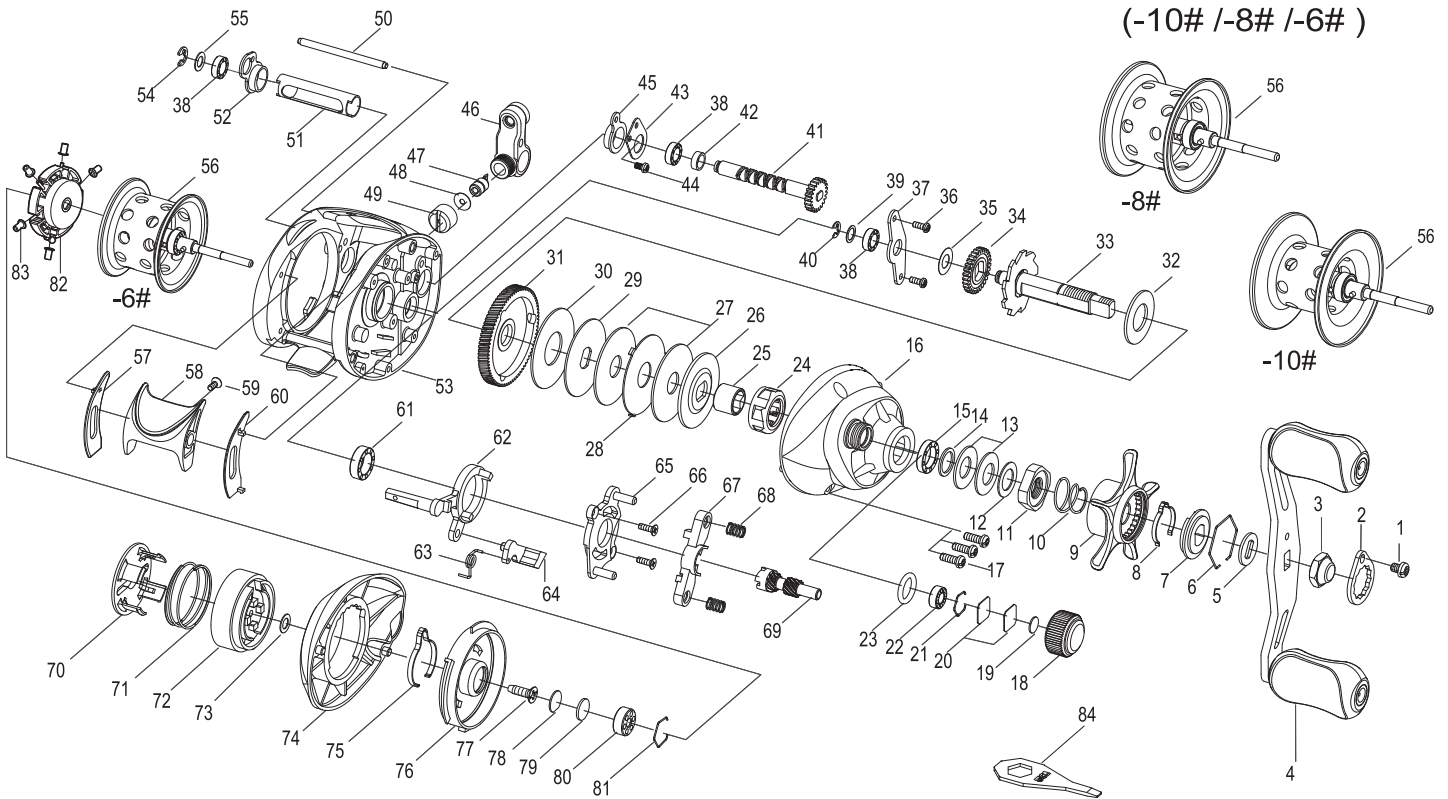


BAIT CASTING REEL

TACTICA

KJ50H

(-10# / -8# / -6#)



| Key NO. | Parts No. | Parts name |
|---------|------------|---------------------------------|
| 1 | 2E2-089-01 | A26M-045 SCREW |
| 2 | 2F6-043-02 | ROTOR NUT HOLDING PLATE |
| 3 | 2E3-075-01 | HANDLE NUT |
| 4 | 2YH-309-04 | HANDLE TOTAL ASSEMBLY |
| 5 | 2W2-058-01 | KEY WASH |
| 6 | 2E4-018-01 | RETAINER |
| 7 | 2F8-050-01 | CLICK LEAF SPRING HOLDER |
| 8 | 2L3-029-01 | CLICK LEAF SPRING |
| 9 | 2D4-008-04 | STAR DRAG LEVER |
| 10 | 2Q1-052-01 | STAR DRAG SPRING |
| 11 | 2E3-029-01 | STAR DRAG NUT |
| 12 | 2W1-020-01 | 081-130 WASHER |
| 13 | 2L1-004-01 | SPRING WASHER |
| 14 | 2W1-035-05 | 080-105 WASHER |
| 15 | 2Z1-024-05 | 812-2.5 BALL BEARING |
| 16 | 2F5-409-02 | RIGHT SIDE COVER |
| 17 | 2E2-031-01 | A26M-075 SCREW |
| 18 | 2E3-077-01 | CAST CONTROL NUT |
| 19 | 2W5-026-01 | SPACER |
| 20 | 2W5-029-01 | CAST CONTROL SPACER |
| 21 | 2E4-019-01 | BEARING RETAINER |
| 22 | 2Z1-029-05 | 408-3 BALL BEARING |
| 23 | 2E9-005-01 | O RING |
| 24 | 2YZ-007-01 | ONE-WAY CLUTCH BEARING ASSEMBLY |
| 25 | 2A4-073-01 | ONE-WAY CLUTCH INNER TUBE |
| 26 | 2W2-072-01 | KEY WASHER |
| 27 | 2W1-228-01 | 082-230 WASHER |
| 28 | 2W3-036-01 | EARED WASHER |
| 29 | 2W2-073-01 | KEY WASHER |
| 30 | 2W1-227-01 | 125-250 WASHER |
| 31 | 2G1-133-01 | DRIVE GEAR |
| 32 | 2W1-083-02 | 103-200 WASHER |
| 33 | 2YM-094-01 | DRIVE SHAFT ASSEMBLY |
| 34 | 2G3-027-01 | IDLE GEAR |
| 35 | 2W1-075-01 | 051-100 WASHER |
| 36 | 2E2-044-01 | A20M-050 SCREW |
| 37 | 2F6-036-01 | DRIVE SHAFT RETAINER |
| 38 | 2Z1-001-05 | 508-2.5 BALL BEARING |
| 39 | 2W1-124-01 | 045-065 WASHER |
| 40 | 2E5-006-01 | E2.5 RETAINER |
| 41 | 2YM-026-01 | WORM SHAFT ASSEMBLY |
| 42 | 2C1-055-01 | SPACER |
| 43 | 2W5-041-01 | SPACER |
| 44 | 2E2-050-01 | A20M-035 SCREW |

| Key NO. | Parts No. | Parts name |
|---------|---------------|-------------------------------|
| 45 | 2C2-059-01 | WORM SHAFT BUSH A |
| 46 | 2YR-071-01 | LINE GUIDE ASSEMBLY |
| 47 | 2M5-006-01 | LINE GUIDE PIN |
| 48 | 2W1-100-01 | 020-068 WASHER |
| 49 | 2E3-028-01 | LINE GUIDE NUT |
| 50 | 2P4-007-01 | OSCILLATING SLIDER PIN |
| 51 | 2C4-009-01 | LEVEL WIND GUARD |
| 52 | 2C2-060-01 | WORM SHAFT BUSH B |
| 53 | 2B1-162-02 | BODY |
| 54 | 2E5-013-01 | E3.0 RETAINER |
| 55 | 2W1-079-01 | 040-070 WASHER |
| 56 | 2YT-460-01 | SPOOL TOTAL ASSEMBLY |
| 57 | 2C4-026-01 | CASTING BAR GUIDE B |
| 58 | 2S3-030-01 | CASTING BAR |
| 59 | 2E2-030-02 | F20M-050 SCREW |
| 60 | 2C4-025-01 | CASTING BAR GUIDE A |
| 61 | 2Z1-010-05 | 812-3.5 BALL BEARING |
| 62 | 2A2-095-01 | CLUTCH CAM ASSEMBLY |
| 63 | 2Q3-063-01 | CLUTCH PAWL SPRING |
| 64 | 2A4-036-01 | CLUTCH PAWL |
| 65 | 2F8-042-01 | CLUTCH CAM RETAINER |
| 66 | 2E2-068-02 | F20M-065 SCREW |
| 67 | 2A2-043-01 | PINION YOKE |
| 68 | 2Q1-031-01 | YOKE SPRING |
| 69 | 2G2-047-01 | PINION GEAR |
| 70 | 2F5-327-01 | LOCKER NUT |
| 71 | 2Q1-098-01 | SPRING |
| 72 | 2F7-008-06 | COVER LOCKER |
| 73 | 2W1-079-01 | 040-070 WASHER |
| 74 | 2F5-424-02 | LEFT SIDE COVER |
| 75 | 2L3-040-01 | CLICK LEAF SPRING |
| 76 | 2YF-160-01 | CENTRIFUGAL DRAG SET ASSEMBLY |
| 77 | 2E1-068-01 | F30-100 SCREW |
| 78 | 2W5-079-04 | CAST CONTROL SPACER |
| 79 | 2W5-078-01 | SPACER |
| 80 | 2Z1-015-02 | 310-4 BALL BEARING |
| 81 | 2E4-011-01 | BEARING RETAINER |
| 82 | 2D3-061-01 | BUFFER |
| 83 | 2C2-107-01 | BRAKE COLLAR |
| 84 | 2X3-004-02 | WRECH |
| -8# | SPECIAL PARTS | |
| 56 | 2YT-351-04 | SPOOL TOTAL ASSEMBLY |
| -10# | SPECIAL PARTS | |
| 56 | 2YT-426-04 | SPOOL TOTAL ASSEMBLY |