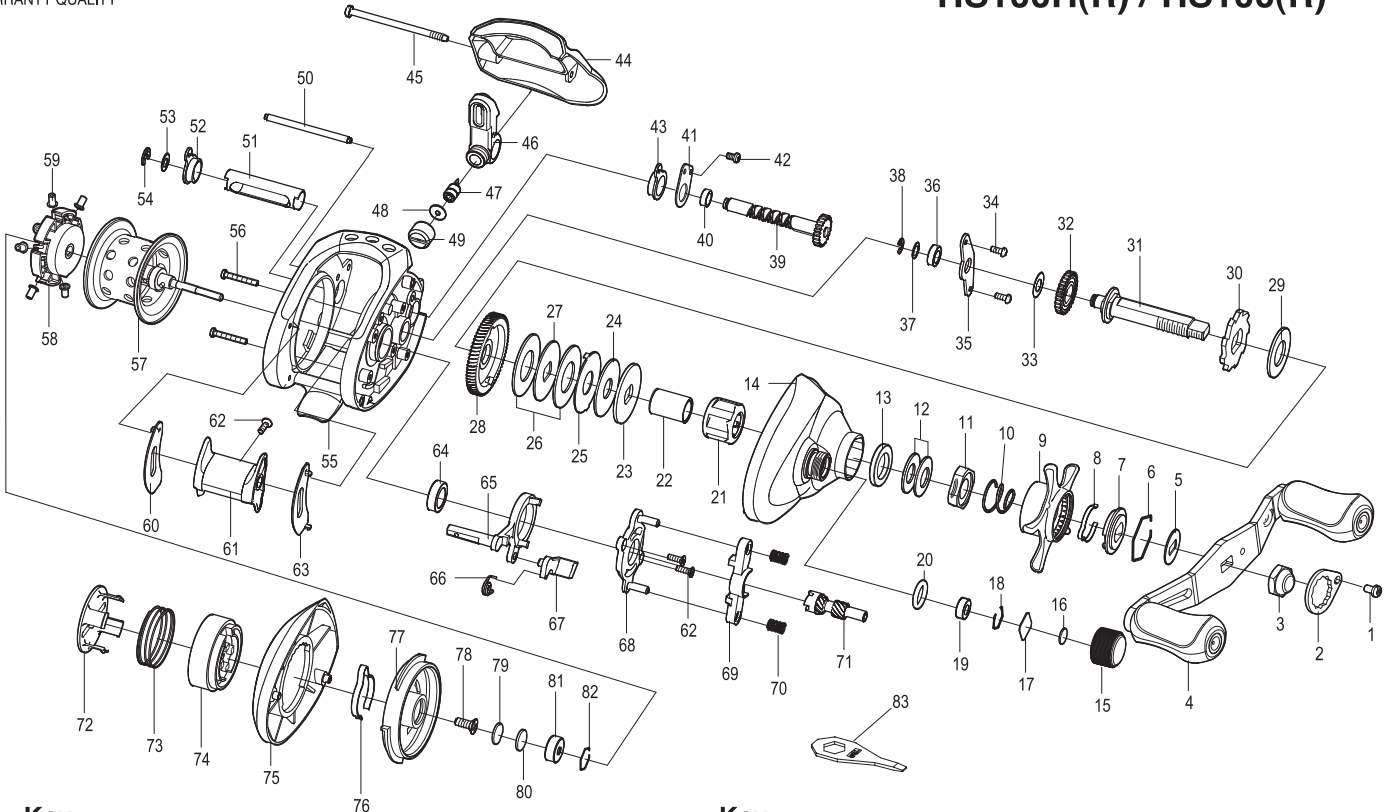




BAIT CASTING REEL TACTICA

Please order by parts number, not key number
 Bitte, Best.-Nr. angeben (Nicht "key" -nr.)
 Veuillez indiquer le numero de la piece (Non "key" no.)

HS100H(BL) / HS100(BL) HS100H(R) / HS100(R)



Key NO.	Parts No.	Parts name	Key NO.	Parts No.	Parts name
1	2E2-089-01	A26M-045 SCREW	50	2P4-007-01	OSCILLATING SLIDER PIN
2	2F6-043-02	ROTOR NUT HOLDING PLATE	51	2C4-009-01	LEVEL WIND GUARD
3	2E3-075-01	HANDLE NUT	52	2C2-062-01	WORM SHAFT BUSH A
4	2YH-309-02	HANDEL TOTAL ASSEMBLY	53	2W1-079-01	040-070 WASHER
5	2W2-058-01	KEY WASH	54	2E5-013-01	E3.0 RETAINER
6	2E4-018-01	RETAINER	55	2B1-132-04	BODY
7	2F8-050-01	CLICK LEAF SPRING HOLDER	56	2E1-052-01	A20-130 SCREW
8	2L3-029-01	CLICK LEAF SPRING	57	2YT-351-02	SPOOL TOTAL ASSEMBLY
9	2D4-008-02	STAR DRAG LEVER	58	2D3-061-01	BUFFER
10	2Q1-052-01	STAR DRAG SPRING	59	2C2-107-01	BRAKE COLLAR
11	2E3-029-01	STAR DRAG NUT	60	2C4-021-02	CASTING BAR GUIDE A
12	2L1-004-01	SPRING WASHER	61	2YF-131-02	CASTING BAR ASSEMBLY
13	2C1-114-01	COLLAR	62	2E2-068-02	F20M-065 SCREW
14	2F5-324-07	RIGHT SIDE COVER	63	2C4-022-02	CASTING BAR GUIDE B
15	2E3-024-01	CAST CONTROL NUT	64	2Z1-010-05	812-3.5 BALL BEARING
16	2W5-026-01	SPACER	65	2A2-085-01	CLUTCH CAM ASSEMBLY
17	2W5-029-01	CAST CONTROL SPACER	66	2Q3-063-01	CLUTCH PAWL SPRING
18	2E4-019-01	BEARING RETAINER	67	2A4-036-01	CLUTCH PAWL
19	2Z1-029-05	408-3 BALL BEARING	68	2F8-042-01	CLUTCH CAM RETAINER
20	2E9-005-01	O RING	69	2A2-043-01	PINION YOKE
21	2YZ-007-01	ONE-WAY CLUTCH BEARING ASSEMBLY	70	2Q1-031-01	YOKE SPRING
22	2A4-022-01	ONE-WAY CLUTCH INNER TUBE	71	2G2-047-01	PINION GEAR
23	2W2-018-01	KEY WASHER	72	2F5-327-02	LOCKER NUT
24	2W1-064-01	082-230 WASHER	73	2Q1-098-01	SPRING
25	2W3-009-01	EARED WASHER	74	2F7-008-04	COVER LOCKER
26	2W1-065-01	125-250 WASHER	75	2F5-326-06	LEFT SIDE COVER
27	2W2-017-01	KEY WASHER	76	2L3-040-01	CLICK LEAF SPRING
28	2G1-031-01	DRIVE GEAR	77	2YF-160-01	CENTRIFUGAL DRAG SET ASSEMBLY
29	2W1-083-01	103-200 WASHER	78	2E1-068-01	F30-100 SCREW
30	2A3-021-01	RATCHET	79	2W5-079-01	CAST CONTROL SPACER
31	2M3-116-01	DRIVE SHAFT	80	2W5-078-01	SPACER
32	2G3-027-01	IDLE GEAR	81	2Z1-015-02	310-4 BALL BEARING
33	2W1-075-01	051-100 WASHER	82	2E4-011-01	BEARING RETAINER
34	2E2-044-01	A20M-050 SCREW	83	2X3-004-02	WRECH
35	2F6-036-01	DRIVE SHAFT RETAINER	HS100(BL)	SPECIAL PARTS	
36	2Z1-001-05	508-2.5 BALL BEARING	14	2F5-324-08	RIGHT SIDE COVER
37	2W1-124-01	045-065 WASHER	28	2G1-035-01	DRIVE GEAR
38	2E5-006-01	E2.5 RETAINER	71	2G2-048-01	PINION GEAR
39	2YM-026-01	WORM SHAFT ASSEMBLY	75	2F5-326-07	LEFT SIDE COVER
40	2C1-055-01	SPACER	HS100H(R)	SPECIAL PARTS	
41	2W5-041-01	SPACER	14	2F5-324-09	RIGHT SIDE COVER
42	2E2-050-01	A20M-035 SCREW	57	2YT-351-03	SPOOL TOTAL ASSEMBLY
43	2C2-063-01	WORM SHAFT BUSH B	75	2F5-326-08	LEFT SIDE COVER
44	2F5-325-02	BODY FRONT COVER	HS100(R)	SPECIAL PARTS	
45	2E1-061-01	A30-415 SCREW	14	2F5-324-10	RIGHT SIDE COVER
46	2YR-064-01	LINE GUIDE ASSEMBLY	28	2G1-035-01	DRIVE GEAR
47	2M5-006-01	LINE GUIDE PIN	57	2YT-351-03	SPOOL TOTAL ASSEMBLY
48	2W1-100-01	020-068 WASHER	71	2G2-048-01	PINION GEAR
49	2E3-028-01	LINE GUIDE NUT	75	2F5-326-09	LEFT SIDE COVER