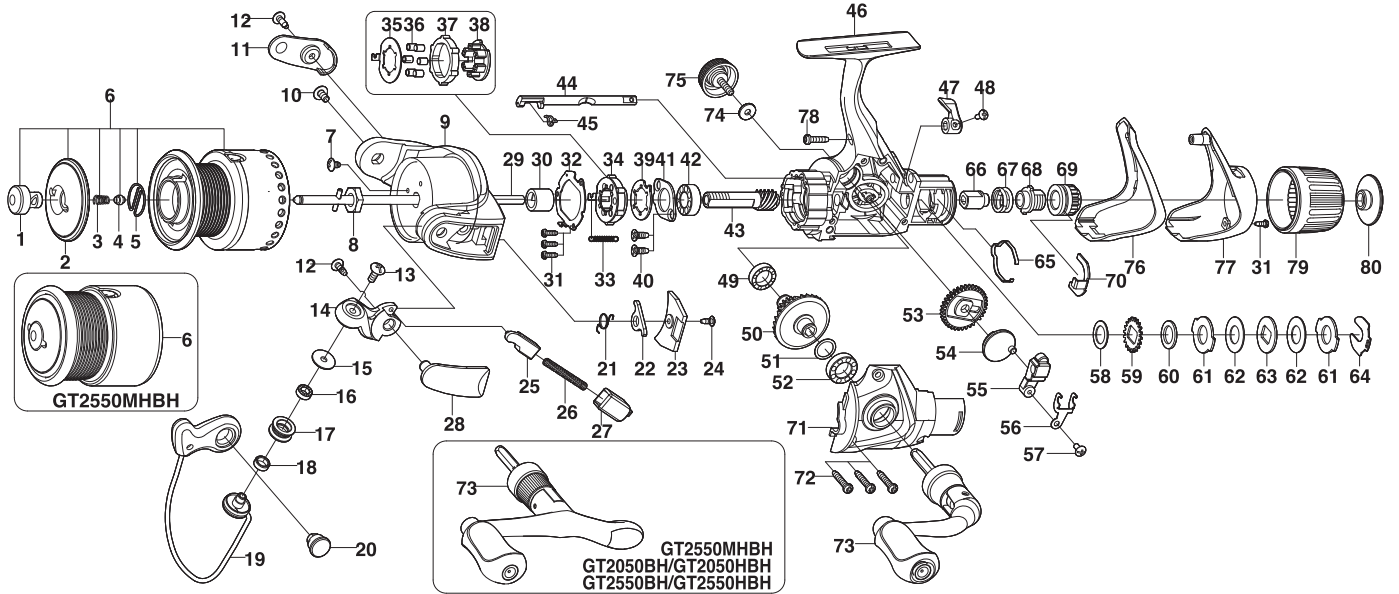




# SPINNING REEL

## GT2050/GT2050H/GT2050BH/GT2050HBH/GT2550 GT2550H/GT2550BH/GT2550HBH/GT2550MHBH

Please order by parts number, not key number  
Bitte, Best.-Nr. angeben (Nicht "key" -nr.)  
Veuillez indiquer le numero de la piece (Non "key" no.)



Key NO.	Parts No.	Parts name	Key NO.	Parts No.	Parts name
1	2S3-003-01	PUSH BUTTON	59	2F3-018-01	CLICK GEAR
2	2S2-003-03	SPOOL CAP	60	2W1-025-03	082-126 WASHER
3	2Q1-093-01	BUTTON SPRING	61	2W3-007-01	EARED WASHER
4	2P4-014-01	BUTTON SHAFT SPACER BAR	62	2W1-022-02	082-162 WASHER
5	2Q3-018-01	PUSH BUTTON RETAINER	63	2W2-002-01	KEY WASHER
6	2YT-267-01	SPOOL TOTAL ASSEMBLY	64	2E5-038-01	CONTROL NUT RETAINER
7	2E1-036-01	B26-040 SCREW	65	2L3-032-01	CONTROL KNOB CLICK LEAF SPRING
8	2E3-007-01	ROTOR NUT	66	2F3-017-02	CLUTCH METAL
9	2R1-070-01	ROTOR	67	2Q1-094-01	DRAG SPRING
10	2E2-004-01	B30M-060 SCREW	68	2D3-040-01	PRESSURE SCREW
11	2R4-094-01	BAIL TRIP COVER	69	2D2-012-01	HIT AND RUN CONTROL NUT
12	2E1-016-02	B26-080 SCREW	70	2E5-036-01	CONTROL NUT RETAINER
13	2E2-018-01	B30M-080 SCREW	71	2YC-099-01	BODY COVER ASSEMBLY
14	2R2-031-01	BAIL ARM	72	2E1-031-01	A26-140 SCREW
15	2C1-034-01	LINE ROLLER COLLAR	73	2YH-212-02	HANDLE ASSEMBLY
16	2Z1-012-02	407-2.5 BALL BEARING	74	2W1-004-01	029-080 WASHER
17	2R6-020-01	LINE ROLLER	75	2H6-001-12	HANDLE SCREW CAP
18	2C2-032-01	LINE ROLLER BUSH	76	2F5-285-01	REAR COVER A
19	2YL-117-01	BAIL ASSEMBLY	77	2F5-286-01	REAR COVER B
20	2E3-019-01	BAIL HOLDER NUT	78	2E1-055-01	A26-100 SCREW
21	2Q3-056-01	BAIL TRIP LEVER SPRING	79	2D1-058-01	DRAG KNOB
22	2R5-105-01	BAIL TRIP LEVER	80	2E0-034-02	HIT AND RUN CONTROL KNOB SCREW
23	2F5-279-01	ROTOR COVER			
24	2E1-020-02	B22-055 SCREW	<b>GT2050H</b>	<b>SPECIAL PARTS</b>	
25	2R5-090-01	BAIL TRIP SHAFT	6	2YT-267-04	SPOOL TOTAL ASSEMBLY
26	2Q1-023-01	BAIL SPRING	43	2G2-108-01	PINION GEAR
27	2C2-069-01	BAIL SPRING GUIDE	50	2G1-093-01	DRIVE GEAR
28	2R4-095-01	BAIL SPRING COVER	<b>GT2050BH</b>	<b>SPECIAL PARTS</b>	
29	2YM-064-01	MAIN SHAFT ASSEMBLY	73	2YH-214-01	HANDLE ASSEMBLY
30	2A4-021-01	ONE-WAY CLUTCH INNER TUBE	75	2H6-001-10	HANDLE SCREW CAP
31	2E1-050-01	A20-060 SCREW	<b>GT2050HBH</b>	<b>SPECIAL PARTS</b>	
32	2F5-213-01	ROLLER CLUTCH RETAINER	6	2YT-267-04	SPOOL TOTAL ASSEMBLY
33	2Q2-016-01	SPRING	43	2G2-108-01	PINION GEAR
34	2YZ-019-01	ONE-WAY CLUTCH BEARING ASSEMBLY	50	2G1-093-01	DRIVE GEAR
35	2F2-030-01	ANTI-REVERSE PAWL	73	2YH-214-01	HANDLE ASSEMBLY
36	2Z3-001-01	ROLLER	75	2H6-001-10	HANDLE SCREW CAP
37	2A3-008-01	ANTI-REVERSE RATCHET	<b>GT2550</b>	<b>SPECIAL PARTS</b>	
38	2F8-080-01	CAGE	6	2YT-268-01	SPOOL TOTAL ASSEMBLY
39	2F2-037-01	ANTI-REVERSE PAWL	<b>GT2550H</b>	<b>SPECIAL PARTS</b>	
40	2E1-063-01	F26-070 SCREW	6	2YT-268-04	SPOOL TOTAL ASSEMBLY
41	2F5-212-01	BEARING RETAINER	43	2G2-108-01	PINION GEAR
42	2Z1-003-03	714-5 BALL BEARING	50	2G1-093-01	DRIVE GEAR
43	2G2-093-01	PINION GEAR	<b>GT2550BH</b>	<b>SPECIAL PARTS</b>	
44	2A2-077-02	ANTI-REVERSE CAM	6	2YT-268-01	SPOOL TOTAL ASSEMBLY
45	2Q3-009-01	ANTI-REVERSE SPRING	73	2YH-214-01	HANDLE ASSEMBLY
46	2B1-118-01	BODY	75	2H6-001-10	HANDLE SCREW CAP
47	2A1-032-01	ANTI-REVERSE LEVER	<b>GT2550HBH</b>	<b>SPECIAL PARTS</b>	
48	2E2-013-02	B20M-060 SCREW	6	2YT-268-04	SPOOL TOTAL ASSEMBLY
49	2Z1-009-03	711-3 BALL BEARING	43	2G2-108-01	PINION GEAR
50	2G1-092-01	DRIVE GEAR	50	2G1-093-01	DRIVE GEAR
51	2W1-035-00	080-105 WASHER	73	2YH-214-01	HANDLE ASSEMBLY
52	2Z1-010-02	812-3.5 BALL BEARING	75	2H6-001-10	HANDLE SCREW CAP
53	2G3-060-01	OSCILLATING GEAR	<b>GT2550MHBH</b>	<b>SPECIAL PARTS</b>	
54	2M2-010-01	OSCILLATING CAM	6	2YT-338-01	SPOOL TOTAL ASSEMBLY
55	2M1-049-01	OSCILLATING SLIDER	43	2G2-108-01	PINION GEAR
56	2E5-043-01	OSCILLATING SLIDER RETAINER	50	2G1-093-01	DRIVE GEAR
57	2E2-055-01	B23M-050 SCREW	73	2YH-214-01	HANDLE ASSEMBLY
58	2W1-025-02	082-126 WASHER	75	2H6-001-10	HANDLE SCREW CAP