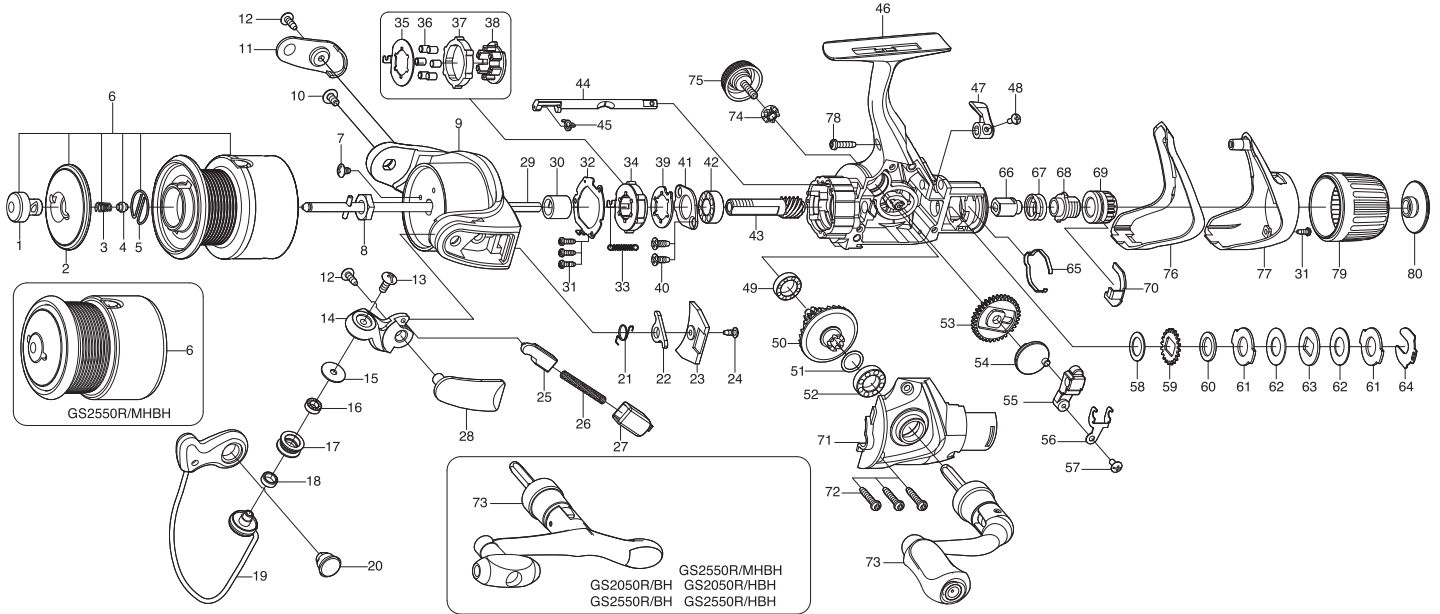




SPINNING REEL

GS2050R / GS2050R/H / GS2050R/BH / GS2050R/HBH / GS2550R
 GS2550R/H / GS2550R/BH / GS2550R/HBH / GS2550MHBH

Please order by parts number, not key number
 Bitte, Best.-Nr. angeben (Nicht "key" -nr.)
 Veuillez indiquer le numero de la piece (Non "key" no.)



Key NO.	Parts No.	Parts name	Key NO.	Parts No.	Parts name
1	2S3-003-03	PUSH BUTTON	56	2E5-043-01	OSCILLATING SLIDER RETAINER
2	2S2-003-05	SPOOL CAP	57	2E2-055-01	B23M-050 SCREW
3	2Q1-093-01	BUTTON SPRING	58	2W1-025-02	O82-126 WASHER
4	2P4-014-01	BUTTON SHAFT SPACER BAR	59	2F3-018-01	CLICK GEAR
5	2Q3-018-01	PUSH BUTTON RETAINER	60	2W1-025-03	O82-126 WASHER
6	2YT-267-11	SPOOL TOTAL ASSEMBLY	61	2W3-007-01	EARED WASHER
7	2E1-036-01	B26-040 SCREW	62	2W1-022-02	O82-162 WASHER
8	2E3-007-01	ROTOR NUT	63	2W2-002-01	KEY WASHER
9	2R1-107-03	ROTOR	64	2E5-038-01	CONTROL NUT RETAINER
10	2E2-004-01	B30M-060 SCREW	65	2L3-032-01	CONTROL KNOB CLICK LEAF SPRING
11	2R4-094-03	BAIL TRIP COVER	66	2F3-017-02	CLUTCH METAL
12	2E1-016-02	B26-080 SCREW	67	2Q1-094-01	DRAG SPRING
13	2E2-018-01	B30M-080 SCREW	68	2D3-040-01	PRESSURE SCREW
14	2R2-031-01	BAIL ARM	69	2D2-012-01	HIT AND RUN CONTROL NUT
15	2C1-034-01	LINE ROLLER COLLAR	70	2E5-036-01	CONTROL NUT RETAINER
16	2Z1-012-05	407-2.5 BALL BEARING	71	2YC-099-02	BODY COVER ASSEMBLY
17	2R6-020-01	LINE ROLLER	72	2E1-031-01	A26-140 SCREW
18	2C2-032-01	LINE ROLLER BUSH	73	2YH-237-02	HANDLE ASSEMBLY
19	2YL-117-01	BAIL ASSEMBLY	74	2C3-042-01	HANDLE SCREW SLEEVE
20	2E3-019-01	BAIL HOLDER NUT	75	2H6-001-10	HANDLE SCREW CAP
21	2Q3-056-01	BAIL TRIP LEVER SPRING	76	2F5-285-03	REAR COVER A
22	2R5-105-01	BAIL TRIP LEVER	77	2F5-286-02	REAR COVER B
23	2F5-279-03	ROTOR COVER	78	2E1-055-01	A26-100 SCREW
24	2E1-020-02	B22-055 SCREW	79	2D1-058-03	DRAG KNOB
25	2R5-090-01	BAIL TRIP SHAFT	80	2E0-034-02	HIT AND RUN CONTROL KNOB SCREW
26	2Q1-023-01	BAIL SPRING			
27	2C2-069-01	BAIL SPRING GUIDE	GS2050R/H	SPECIAL PARTS	
28	2R4-095-03	BAIL SPRING COVER	6	2YT-267-12	SPOOL TOTAL ASSEMBLY
29	2YM-064-01	MAIN SHAFT ASSEMBLY	43	2G2-108-01	PINION GEAR
30	2A4-021-01	ONE-WAY CLUTCH INNER TUBE	50	2G1-093-02	DRIVE GEAR
31	2E1-050-01	A20-060 SCREW	GS2050R/BH	SPECIAL PARTS	
32	2F5-213-01	ROLLER CLUTCH RETAINER	73	2YH-239-02	HANDLE ASSEMBLY
33	2Q2-016-01	SPRING	GS2050R/HBH	SPECIAL PARTS	
34	2YZ-019-01	ONE-WAY CLUTCH BEARING ASSEMBLY	6	2YT-267-12	SPOOL TOTAL ASSEMBLY
35	2F2-030-01	ANTI-REVERSE PAWL	43	2G2-108-01	PINION GEAR
36	2Z3-001-01	ROLLER	50	2G1-093-02	DRIVE GEAR
37	2A3-008-01	ANTI-REVERSE RATCHET	73	2YH-239-02	HANDLE ASSEMBLY
38	2F8-080-01	CAGE	GS2550R	SPECIAL PARTS	
39	2F2-037-01	ANTI-REVERSE PAWL	6	2YT-268-11	SPOOL TOTAL ASSEMBLY
40	2E1-063-01	F26-070 SCREW	GS2550R/H	SPECIAL PARTS	
41	2F5-212-01	BEARING RETAINER	6	2YT-268-12	SPOOL TOTAL ASSEMBLY
42	2Z1-003-05	714-5 BALL BEARING	43	2G2-108-01	PINION GEAR
43	2G2-093-01	PINION GEAR	50	2G1-093-02	DRIVE GEAR
44	2A2-077-02	ANTI-REVERSE CAM	GS2550R/BH	SPECIAL PARTS	
45	2Q3-009-01	ANTI-REVERSE SPRING	6	2YT-268-11	SPOOL TOTAL ASSEMBLY
46	2B1-118-03	BODY	73	2YH-239-02	HANDLE ASSEMBLY
47	2A1-032-01	ANTI-REVERSE LEVER	GS2550R/HBH	SPECIAL PARTS	
48	2E2-013-02	B20M-060 SCREW	6	2YT-268-12	SPOOL TOTAL ASSEMBLY
49	2Z1-009-05	711-3 BALL BEARING	43	2G2-108-01	PINION GEAR
50	2G1-092-02	DRIVE GEAR	50	2G1-093-02	DRIVE GEAR
51	2W1-035-00	O80-105 WASHER	73	2YH-239-02	HANDLE ASSEMBLY
52	2Z1-010-05	812-3.5 BALL BEARING	GS2550R/MHBH	SPECIAL PARTS	
53	2G3-060-01	OSCILLATING GEAR	6	2YT-338-06	SPOOL TOTAL ASSEMBLY
54	2M2-010-01	OSCILLATING CAM	43	2G2-108-01	PINION GEAR
55	2M1-049-01	OSCILLATING SLIDER	50	2G1-093-02	DRIVE GEAR
			73	2YH-239-02	HANDLE ASSEMBLY