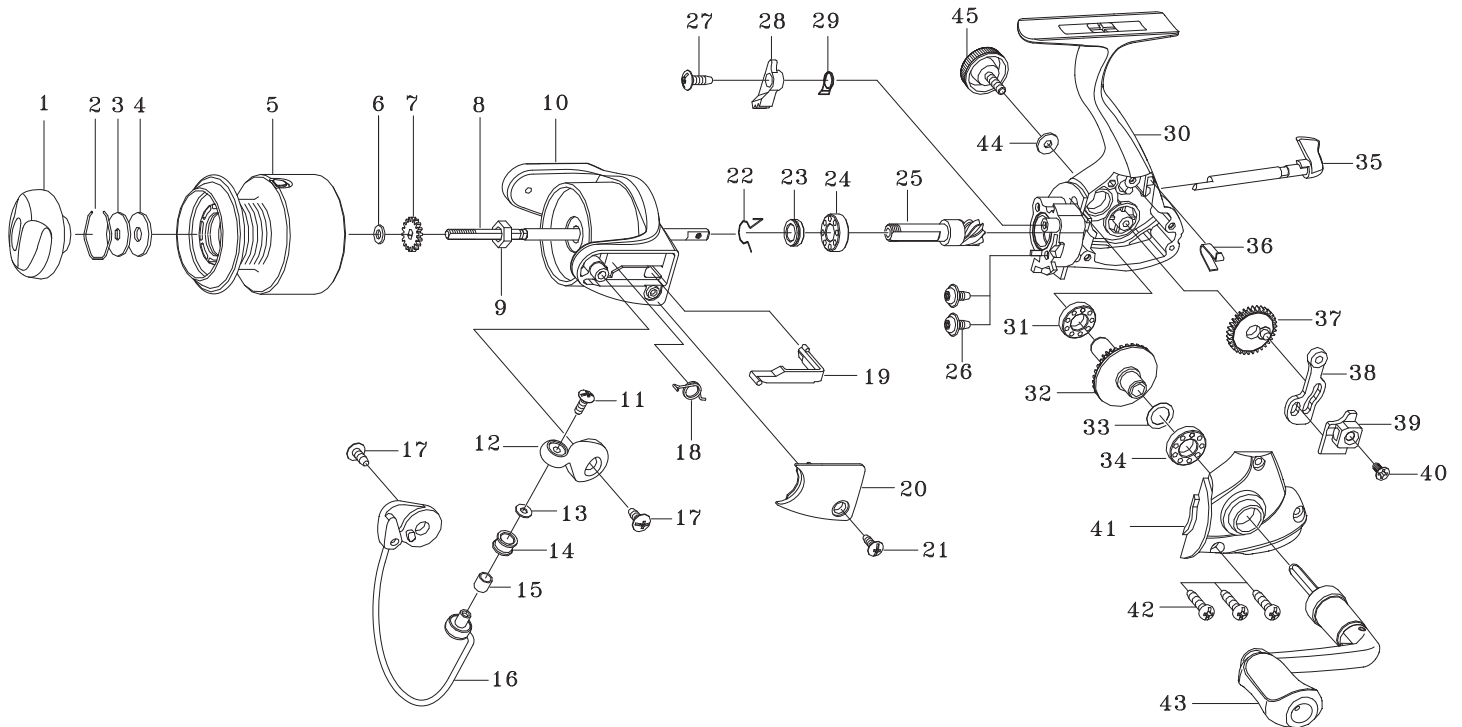


SPINNING REEL STREAMSTAR LA2500c



Key NO.	Parts No.	Parts name	Key NO.	Parts No.	Parts name
2-5	2YT-220-01	SPOOL TOTAL ASSEMBLY	23	2C3-009-01	ANTI-REVERSE PAWL SPRING COLLAR
1	2YD-017-06	DRAG KNOB ASSEMBLY	24	2Z1-006-01	613-3.5 BALL BEARING
2	2E4-008-01	DRAG WASHER RETAINER	25	2G2-065-01	PINION GEAR
3	2W2-042-01	KEY WASHER	26	2E1-017-01	G30-060 SCREW
4	2W1-159-01	045-152 WASHER	27	2E1-037-01	b30-100 SCREW
5	2YS-153-01	SPOOL ASSEMBLY	28	2A4-053-01	ANTI-REVERSE PAWL
6	2W1-051-01	033-065 WASHER	29	2Q3-043-01	ANTI-REVERSE PAWL SPRING
7	2F3-051-01	CLICK GEAR	30	2B1-074-03	BODY
8	2M3-072-01	MAIN SHAFT	31	2Z1-009-01	711-3 BALL BEARING
9	2E3-001-01	ROTOR NUT	32	2G1-047-01	DRIVE GEAR
10	2R1-077-03	ROTOR	33	2W1-019-00	071-103 WASHER
11	2E2-005-03	B26M-080 SCREW	34	2Z1-002-01	714-3.5 BALL BEARING
12	2R2-033-03	BALL ARM	35	2A1-031-03	ANTI REVERSE LEVER
13	2W1-038-01	026-060 WASHER	36	2L5-010-01	ANTI-REVERSE CAM SPRING
14	2R6-021-01	LINE ROLLER	37	2G3-038-01	OSCILLATING GEAR
15	2C2-001-01	LINE ROLLER BUSH	38	2M2-007-01	OSCILLATING SLIDER CRANK
16	2YL-090-01	BAIL ASSEMBLY	39	2M1-036-01	OSCILLATING SLIDER
17	2E1-037-01	B30-080 SCREW	40	2E2-030-01	F20M-050 SCREW
18	2Q1-051-02	BAIL SPRING	41	2B2-044-03	BODY COVER
19	2R5-097-01	BAIL TRIP LEVER	42	2E1-005-02	A26-120 SCREW
20	2R4-103-03	BALL SPRING COVER	43	2YH-150-01	HANDLE TOTAL ASSEMBLY
21	2E1-016-02	B26-080 SCREW	44	2W1-004-01	029-080 WASHER
22	2Q3-017-01	ANTI-REVERSE PAWL SPRING	45	2H6-001-02	HANDLE SCREW CAP