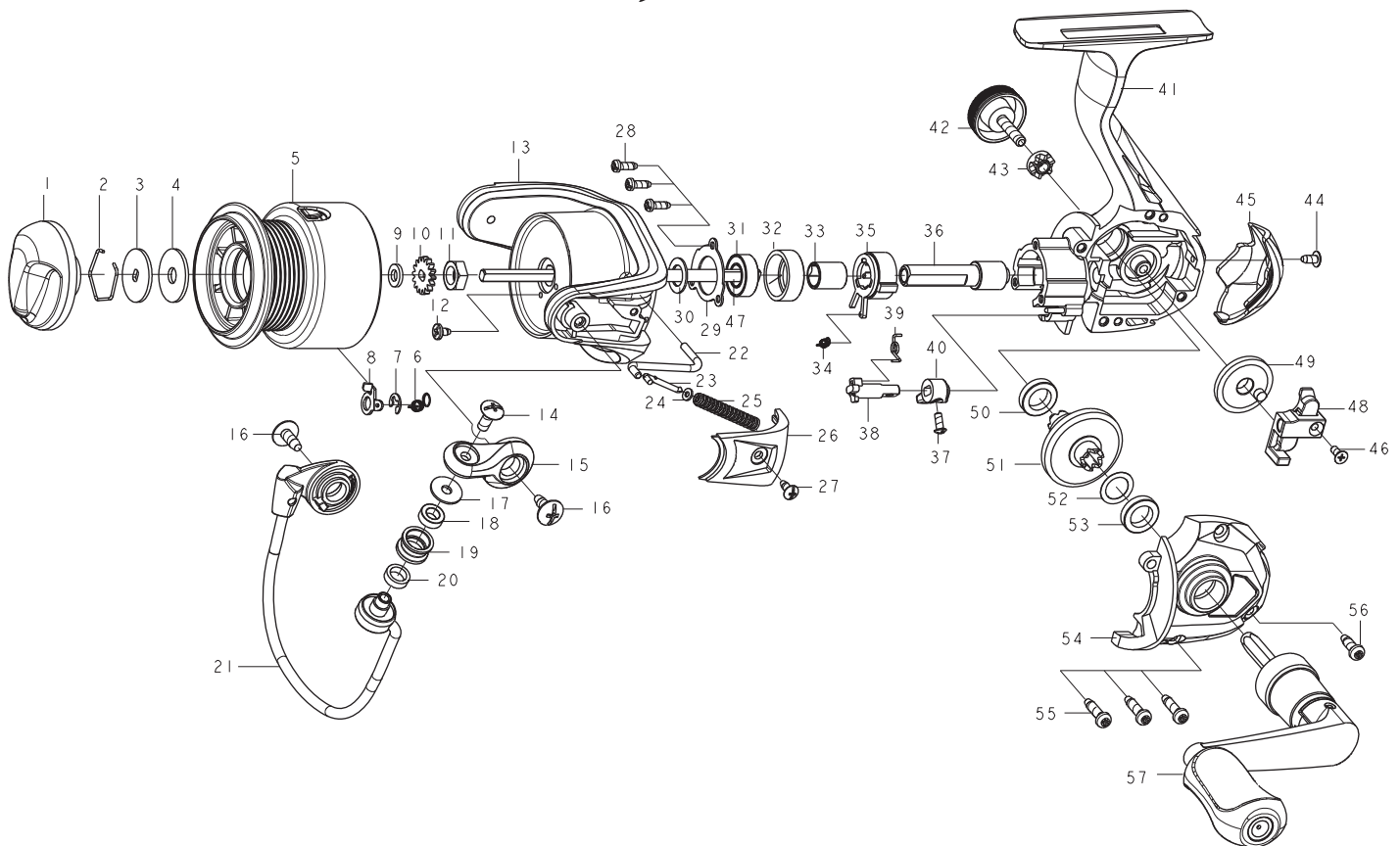




SPINNING REEL

GALANT
Spin-X

GEAT2000/GEAT2500



| Key NO. | Parts No. | Parts name | Key NO. | Parts No. | Parts name |
|---------|------------|------------------------|------------------------|------------|---------------------------------|
| 1 | 2YD-017-08 | DRAG KNOB ASSEMBLY | 31 | 2Z1-019-07 | 612-4 BALL BEARING |
| 2 | 2E4-008-01 | DRAG WASHER RETAINER | 32 | 2C1-138-01 | BUSHING |
| 3 | 2W2-042-01 | KEY WASHER | 33 | 2A4-092-01 | ONE-WAY CLUTCH INNER TUBE |
| 4 | 2W1-159-02 | 045-152 WASHER | 34 | 2Q2-024-01 | SPRING |
| 5 | 2YS-152-03 | SPOOL ASSEMBLY | 35 | 2YZ-032-01 | ONE-WAY CLUTCH BEARING ASSEMBLY |
| 6 | 2Q2-003-01 | CLICK PAWL SPRING | 36 | 2G2-198-01 | PINION GEAR |
| 7 | 2E5-006-01 | E2.5 RETAINER | 37 | 2E2-099-01 | B20M-050 SCREW |
| 8 | 2F4-004-01 | CLICK PAWL | 38 | 2A2-118-01 | ANTI-REVERSE CAM |
| 9 | 2W1-051-01 | 033-065 WASHER | 39 | 2Q3-087-01 | ANTI-REVERSE SPRING |
| 10 | 2F3-051-01 | CLICK GEAR | 40 | 2A1-036-05 | ANTI-REVERSE LEVER |
| 11 | 2E3-001-02 | ROTOR NUT | 41 | 2YB-279-01 | BODY ASSEMBLY |
| 12 | 2E1-056-01 | B20-035 SCREW | 42 | 2H6-001-12 | HANDLE SCREW CAP |
| 13 | 2R1-181-02 | ROTOR | 43 | 2C3-042-01 | HANDLE SCREW SLEEVE |
| 14 | 2E2-018-01 | B30M-080 SCREW | 44 | 2E1-075-01 | B22-045 SCREW |
| 15 | 2R2-092-02 | BAIL ARM | 45 | 2F5-513-01 | REAR COVER |
| 16 | 2E1-025-01 | b30-080 SCREW | 46 | 2E2-030-02 | F20M-050 SCREW |
| 17 | 2C1-056-01 | LINE ROLLER COLLAR | 47 | 2M3-184-01 | MAIN SHAFT |
| 18 | 2Z1-012-05 | 407-2.5 BALL BEARING | 48 | 2M1-087-01 | OSCILLATING SILDER |
| 19 | 2R6-012-01 | LINE ROLLER | 49 | 2G3-104-01 | OSCILLATING GEAR |
| 20 | 2C2-032-01 | LINE ROLLER BUSH | 50 | 2Z1-011-07 | 711-2.5 BALL BEARING |
| 21 | 2YL-212-02 | BAIL ASSEMBLY | 51 | 2G1-165-01 | DRIVE GEAR |
| 22 | 2R5-224-01 | BAIL PAWL | 52 | 2W1-019-01 | 071-103 WASHER |
| 23 | 2R5-202-01 | BAIL TRIP SHAFT | 53 | 2Z1-011-07 | 711-2.5 BALL BEARING |
| 24 | 2W1-044-01 | 016-035 WASHER | 54 | 2B2-161-01 | BODY COVER |
| 25 | 2Q1-141-01 | BAIL SPRING | 55 | 2E1-055-01 | A26-100 SCREW |
| 26 | 2R4-250-02 | BAIL SPRING COVER | 56 | 2E1-045-01 | A26-080 SCREW |
| 27 | 2E1-020-02 | B22-055 SCREW | 57 | 2YH-515-02 | HANDLE TOTAL ASSEMBLY |
| 28 | 2E1-050-01 | A20-060 SCREW | | | |
| 29 | 2F5-510-01 | ROLLER CLUTCH RETAINER | GEAT2500 SPECIAL PARTS | | |
| 30 | 2W1-289-01 | 061-100 WASHER | 5 | 2YS-153-03 | SPOOL ASSEMBLY |