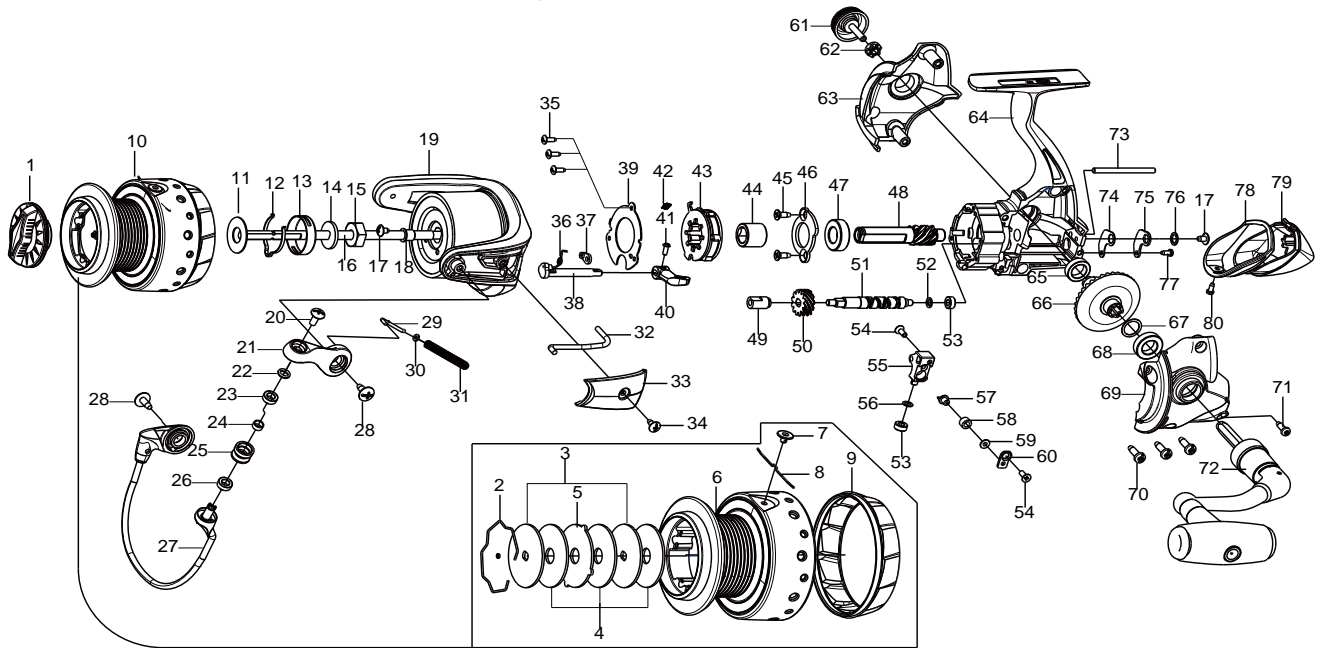




SPINNING REEL

GALANT
X-TREME

GAAT3000H/GAAT3000
GAAT3500H/GAAT3500



Key NO.	Parts No.	Parts name	Key NO.	Parts No.	Parts name
1	2YD-116-02	DRAG KNOB ASSEMBLY	49	2C2-049-01	WORM SHAFT BUSH C
2	2E4-034-01	DRAG WASHER RETAINER	50	2G3-031-01	OSCILLATING GEAR
3	2W2-088-02	KEY WASHER	51	2M4-018-02	WORM SHAFT
4	2W1-263-02	070-285 WASHER	52	2W1-058-03	030-050 WASHER
5	2W3-041-01	EARED WASHER	53	2Z1-014-05	306-2.5 BALL BEARING
6	2S1-469-01	SPOOL	54	2E2-009-02	F23M-060 SCREW
7	2S4-019-01	LINE STOPPER	55	2M1-032-01	OSCILLATING SLIDER
8	2Q3-121-01	SPRING	56	2W1-058-02	030-050 WASHER
9	2S5-063-02	BOTTOM SPOOL	57	2M5-007-01	LINE GUIDE PIN
10	2YT-565-01	SPOOL TOTAL ASSEMBLY	58	2C2-034-01	LINE GUIDE PIN BUSH
11	2W2-023-02	KEY WASHER	59	2W1-058-04	030-050 WASHER
12	2L3-014-01	CLICK LEAF SPRING	60	2F5-181-01	OSCILLATING SLIDER COVER
13	2F8-013-02	CLICK LEAF SPRING HOLDER	61	2H6-017-02	HANDLE SCREW CAP
14	2W2-024-01	KEY WASHER	62	2C3-042-01	HANDLE SCREW SLEEVE
15	2E3-094-01	ROTOR NUT	63	2B2-150-02	BODY COVER (R)
16	2M3-173-01	MAIN SHAFT	64	2B1-215-02	BODY
17	2E1-036-01	B26-040 SCREW	65	2Z1-010-05	812-3.5 BALL BEARING
18	2C1-135-01	PINION GEAR BUSH	66	2G1-057-02	DRIVE GEAR
19	2R1-166-02	ROTOR	67	2W1-035-00	080-105 WASHER
20	2E2-018-01	B30M-080 SCREW	68	2Z1-023-05	814-4 BALL BEARING
21	2R2-081-02	BAIL ARM	69	2B2-149-02	BODY COVER (L)
22	2W4-020-01	LINE ROLLER NUT SPACER	70	2E1-009-01	A30-100 SCREW
23	2Z1-012-05	407-2.5 BALL BEARING	71	2E1-045-01	A26-080 SCREW
24	2C1-077-01	LINE ROLLER COLLAR	72	2YH-501-01	HANDLE TOTAL ASSEMBLY
25	2R6-022-02	LINE ROLLER	73	2P1-025-01	OSCILLATING SLIDER PIN
26	2C1-120-01	COLLAR	74	2W5-031-01	WORM SHAFT COVER GASKET
27	2YL-192-01	BAIL ASSEMBLY	75	2F5-161-01	WORM SHAFT COVER
28	2E1-025-01	b30-080 SCREW	76	2W1-124-02	045-065 WASHER
29	2R5-188-01	BAIL TRIP SHAFT	77	2E1-069-01	A20-045 SCREW
30	2W1-044-01	016-035 WASHER	78	2F6-134-02	PROOF WATER RING
31	2Q1-132-02	BAIL SPRING	79	2F5-490-01	REAR COVER
32	2R5-207-01	BAIL PAWL	80	2E1-075-01	B22-045 SCREW
33	2R4-232-01	BAIL SPRING COVER			
34	2E1-015-02	B26-060 SCREW	GAAT3000 SPECIAL PARTS		
35	2E1-048-01	B22-080 SCREW	6	2S1-469-02	SPOOL
36	2Q3-009-01	ANTI-REVERSE SPRING	10	2YT-565-02	SPOOL TOTAL ASSEMBLY
37	2F8-079-01	ANTI-REVERSE SPRING ANCHOR	48	2G2-193-01	PINION GEAR
38	2A2-122-01	ANTI-REVERSE CAM	50	2G3-018-01	OSCILLATING GEAR
39	2F5-189-01	ROLLER CLUTCH RETAINER	66	2G1-010-02	DRIVE GEAR
40	2A1-040-02	ANTI-REVERSE LEVER	GAAT3500H SPECIAL PARTS		
41	2E2-099-01	B20M-050 SCREW	6	2S1-470-01	SPOOL
42	2Q2-016-01	SPRING	10	2YT-567-01	SPOOL TOTAL ASSEMBLY
43	2YZ-017-01	ONE-WAY CLUTCH BEARING ASSEMBLY	GAAT3500 SPECIAL PARTS		
44	2A4-026-01	ONE-WAY CLUTCH INNER TUBE	6	2S1-470-02	SPOOL
45	2E1-068-01	F30-100 SCREW	10	2YT-567-02	SPOOL TOTAL ASSEMBLY
46	2F5-203-01	BEARING RETAINER	48	2G2-193-01	PINION GEAR
47	2Z1-005-05	816-5 BALL BEARING	50	2G3-018-01	OSCILLATING GEAR
48	2G2-192-01	PINION GEAR	66	2G1-010-02	DRIVE GEAR