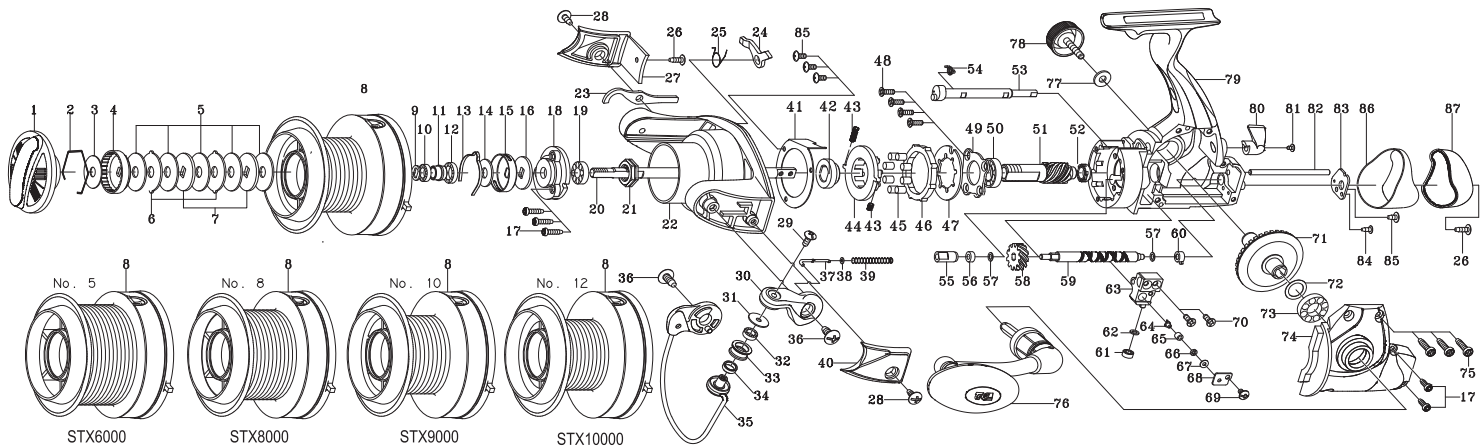


SPINNING REEL

STX5000/6000/8000/9000/10000

GEAR RATIO(5.2/4.1/3.3)

Please order by parts number,not key number
Bitte, Best.-Nr. angeben (Nicht "key" -nr.)
Veuillez indiquer le numero de la pièce (Non "key" no.)



Key NO.	Parts No.	Parts name	Key NO.	Parts No.	Parts name
2-8	2YT-195-15	SPOOL TOTAL ASSEMBLY	55	2C2-049-01	WORM SHAFT BUSH C
44-47	2YZ-015-01	ONE-WAY CLUTCH ASSEMBLY	56	2C1-048-01	WORM SHAFT COLLAR
1	2YD-036-14	DRAG KNOB ASSEMBLY	57	2W1-058-02	030-050 WASHER
2	2E4-013-01	DRAG WASHER RETAINER	58	2G3-025-01	OSCILLATING GEAR
3	2W1-092-01	060-210 WASHER	59	2M4-012-01	WORM SHAFT
4	2F3-032-01	DRAG KNOB CLICK NUT	60	2C2-035-01	WORM SHAFT BUSH A
5	2W1-094-01	060-220 WASHER	61	2Z1-014-01	306-2.5 BALL BEARING
6	2W2-033-01	KEY WASHER	62	2W1-058-03	030-050 WASHER
7	2W3-013-01	EARED WASHER	63	2M1-020-01	OSCILLATING SLIDER
8	2YS-100-15	SPOOL ASSEMBLY	64	2M5-004-01	LINE GUIDE PIN
9	2W2-041-01	KEY WASHER	65	2C2-034-01	LINE GUIDE PIN BUSH
10	2Z1-030-01	610-2.5 BALL BEARING	66	2W1-107-01	030-050 WASHER
11	2C1-044-01	BEARING SPACER	67	2W1-059-01	020-049 WASHER
12	2Z1-024-02	812-2.5 BALL BEARING	68	2F5-103-01	OSCILLATING SLIDER COVER
13	2L3-018-01	SPOOL CLICK LEAF SPRING	69	2E2-006-01	B26M-050 SCREW
14	2W1-115-02	061-160 WASHER	70	2E2-052-01	F26M-080 SCREW
15	2F8-027-02	CLICK LEAF SPRING HOLDER	71	2G1-029-01	DRIVE GEAR
16	2W2-034-01	KEY WASHER	72	2W1-014-03	091-130 WASHER
17	2E1-055-01	A26-100 SCREW	73	2Z1-007-02	917-4 BALL BEARING
18	2YF-052-01	RETAINER ASSEMBLY	74	2B2-023-09	BODY COVER
19	2Z1-006-01	613-3.5 BALL BEARING	75	2E1-006-02	A30-130 SCREW
20	2M3-047-02	MAIN SHAFT	76	2YH-454-01	HANDLE TOTAL ASSEMBLY
21	2E3-026-01	ROTOR NUT	77	2W1-005-01	036-085 WASHER
22	2YR-051-09	ROTOR ASSEMBLY	78	2H6-002-10	HANDLE SCREW CAP
23	2R5-075-01	BAIL TRIP LEVER A	79	2YB-143-07	BODY ASSEMBLY
24	2R5-074-01	BAIL TRIP LEVER B	80	2A1-025-18	ANTI-REVERSE LEVER
25	2Q3-042-01	BAIL TRIP LEVER SPING	81	2E2-013-02	B20M-060 SCREW
26	2E1-016-02	B26-080 SCREW	82	2P1-029-01	OSCILLATING SLIDER PIN
27	2R4-090-16	BAIL TRIP COVER	83	2F5-091-01	WORM SHAFT COVER
28	2E1-025-01	b30-080 SCREW	84	2E1-020-02	B22-055 SCREW
29	2E2-007-04	B30M-100 SCREW	85	2E1-015-02	B26-060 SCREW
30	2R2-009-09	BAIL ARM	86	2B4-012-08	REAR COVER SPACER
31	2C1-049-01	LINE ROLLER COLLAR	87	2F5-104-03	REAR COVER
32	2Z1-001-01	508-2.5 BALL BEARING			
33	2R6-018-02	LINE ROLLER	STX6000	SPECIAL PARTS	
34	2C1-068-01	COLLAR	2-8	2YT-196-17	SPOOL TOTAL ASSEMBLY
35	2YL-176-01	BAIL ASSEMBLY	8	2YS-114-17	SPOOL ASSEMBLY
36	2E1-014-01	B40-100 SCREW	STX8000	SPECIAL PARTS	
37	2R5-040-01	BAIL TRIP SHAFT	2-8	2YT-197-14	SPOOL TOTAL ASSEMBLY
38	2W1-044-01	016-035 WASHER	8	2YS-115-14	SPOOL ASSEMBLY
39	2Q1-024-01	BAIL SPRING	STX9000	SPECIAL PARTS	
40	2R4-089-13	BAIL SPRING COVER	2-8	2YT-198-17	SPOOL TOTAL ASSEMBLY
41	2F5-196-01	ROLLER CLUTCH RETAINER	8	2YS-116-17	SPOOL ASSEMBLY
42	2A4-034-01	ONE-WAY CLUTCH INNER TUBE	STX10000	SPECIAL PARTS	
43	2Q1-071-01	CAGE SPRING	2-8	2YT-199-15	SPOOL TOTAL ASSEMBLY
44	2F8-084-01	CAGE	8	2YS-117-15	SPOOL ASSEMBLY
45	2Z3-003-01	ROLLER	GEAR RATIO 4.1	SPECIAL PARTS	
46	2A3-009-01	ANTI-REVERSE RATCHET	22	2YR-050-13	POTOR ASSEMBLY
47	2F2-035-01	ANTI-REVERSE PAWL	51	2G2-061-01	PINION GEAR
48	2E1-063-01	F26-070 SCREW	58	2G3-035-01	OSCILLATING GEAR
49	2F5-178-01	BEARING RETAINER	71	2G1-045-01	DRIVE GEAR
50	2Z1-008-01	1020-5 BALL BEARING	GEAR RATIO 3.3	SPECIAL PARTS	
51	2G2-045-01	PINION GEAR	22	2YR-062-06	POTOR ASSEMBLY
52	2Z2-013-01	BUSHING	51	2G2-075-01	PINION GEAR
53	2A2-041-01	ANTI-REVERSE CAM	58	2G3-048-01	OSCILLATING GEAR
54	2Q3-072-01	ANTI-REVERSE SPRING	71	2G1-058-01	DRIVE GEAR