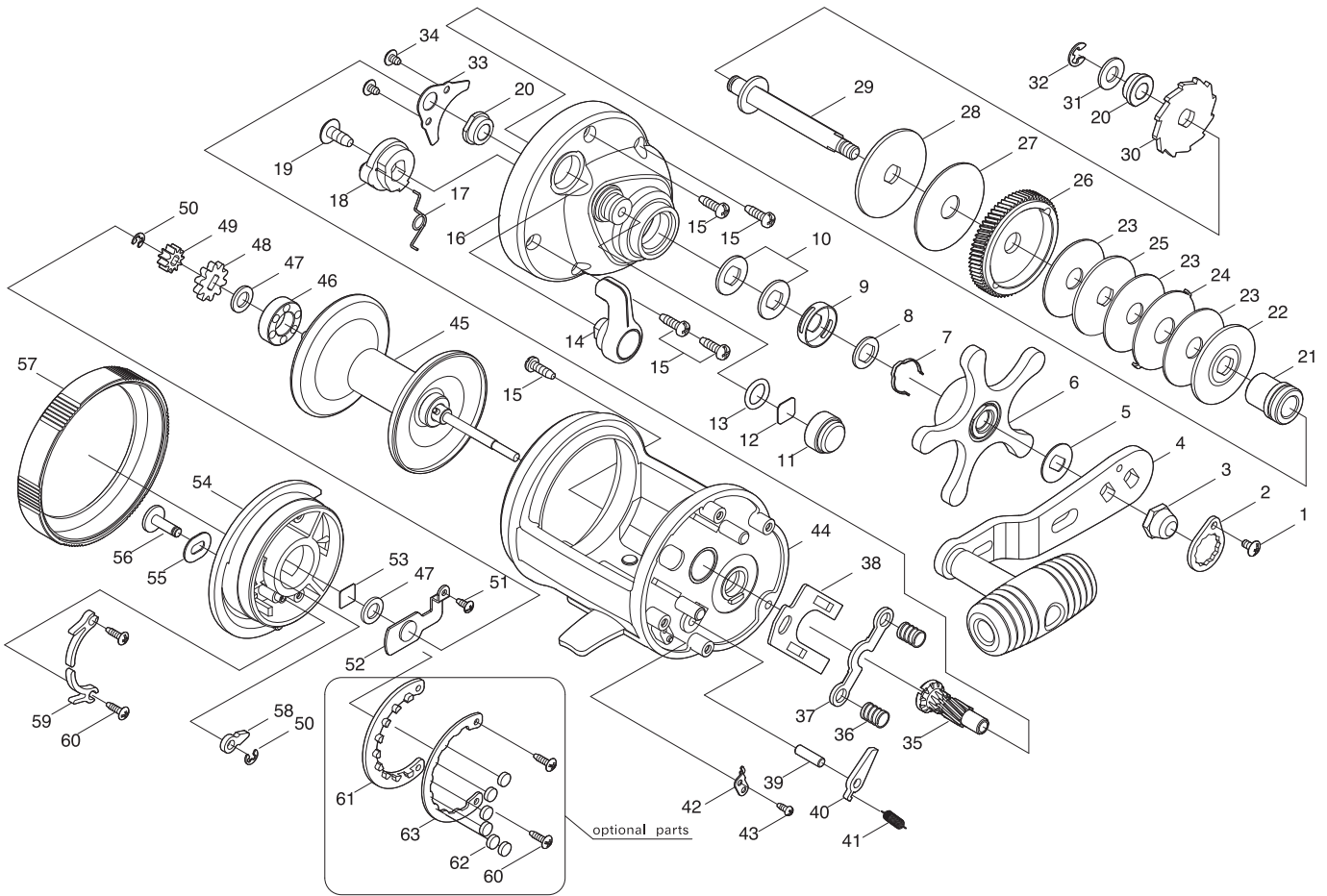




SALTWATER REEL

SEASPIRIT

SP348RV



Key NO.	Parts No.	Parts name	Key NO.	Parts No.	Parts name
1	2E2-006-01	B26M-050 SCREW	33	2F6-068-01	HOLDING PLATE
2	2F6-043-01	ROTOR NUT HOLDING PLATE	34	2E1-036-01	B26-040 SCREW
3	2E3-027-01	HANDLE NUT	35	2G2-113-01	PINION GEAR
4	2YH-178-01	HANDLE TOTAL ASSEMBLY	36	2Q1-080-01	YOKE SPRING
5	2W2-044-01	KEY WASHER	37	2A2-068-01	PINION YOKE
6	2YD-046-02	STAR DRAG LEVER ASSY	38	2F6-067-01	YOKE PLATE
7	2L3-025-01	CLICK LEAF SPRING	39	2P1-036-01	ANTI-REVERSE PAWL PIN
8	2W2-043-01	KEY WASHER	40	2A4-055-01	ANTI-REVERSE PAWL
9	2F8-060-01	CLICK LEAF SPRING HOLDER	41	2Q2-009-01	CLICK PAWL SPRING
10	2L1-007-01	SPRING WASHER	42	2F6-094-01	SPRING RETAIN
11	2E3-048-01	CAST CONTROL NUT	43	2E1-032-01	A20-050 SCREW
12	2W5-029-01	CAST CONTROL SPACER	44	2YB-196-02	BODY ASSEMBLY
13	2E9-005-01	O RING	45	2YS-182-01	SPOOL ASSEMBLY
14	2S3-023-02	CLUTCH LEVER	46	2Z1-035-05	917-5 BALL BEARING
15	2E1-009-01	A30-100 SCREW	47	2W1-097-01	059-100 WASHER
16	2F5-305-02	RIGHT SIDE COVER	48	2F3-052-01	CLICK GEAR
17	2Q3-099-01	CLUTCH SPRING	49	2G3-049-01	SPOOL GEAR
18	2A2-069-01	CLUTCH CAM	50	2E5-006-01	E2.5 RETAINER
19	2E1-014-01	B40-100 SCREW	51	2E1-020-02	B22-055 SCREW
20	2Z2-017-01	BUSHING	52	2F6-098-01	RETAINER
21	2C1-088-01	DRIVE SHAFT COLLAR	53	2W5-015-01	CAST CONTROL SPACER
22	2W2-046-01	KEY WASHER	54	2F5-304-02	LEFT SIDE COVER
23	2W1-170-01	082-300 WASHER	55	2W5-040-01	CLICK SWITCH WASHER
24	2W3-025-01	EARED WASHER	56	2F7-006-01	CLICK SWITCH
25	2W2-045-01	KEY WASHER	57	2E3-061-02	SIDEPLATE HOLDING NUT
26	2G1-096-01	ORIVE GEAR	58	2F4-019-01	CLICK PAWL
27	2W1-192-01	090-340 WASHER	59	2F2-020-01	CLICK SPRING
28	2W2-059-01	KEY WASHER	60	2E1-048-01	B22-080 SCREW
29	2M3-110-01	DRIVE SHAFT	61	2F6-100-01	MAGNET RETAIN
30	2A3-034-01	RATCHET	62	2D3-030-01	MAGNET
31	2W1-169-01	061-120 WASHER	63	2F6-101-01	MAGNET SET PLATE
32	2E5-028-01	E4.0 RETAINER			