

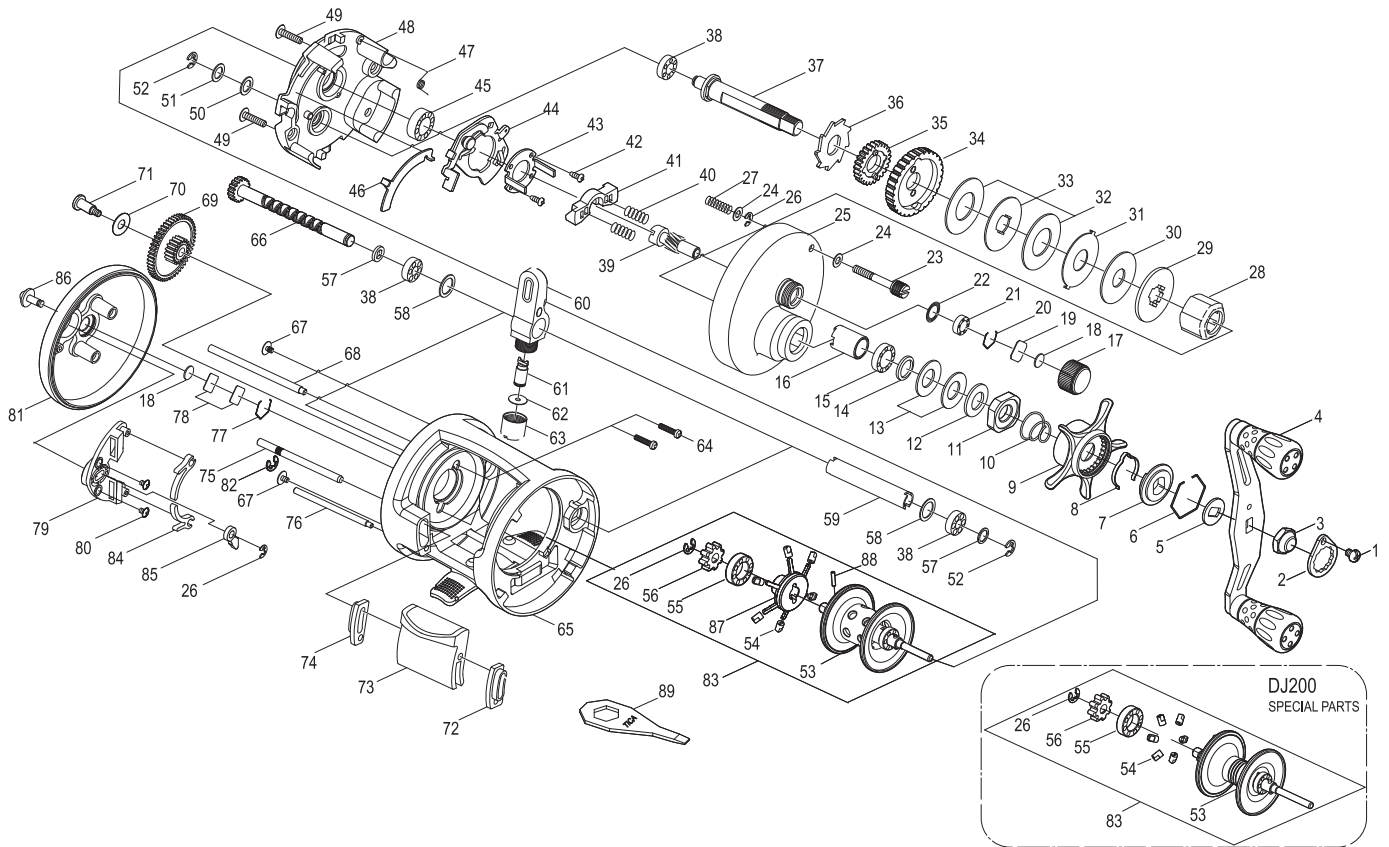


BAIT CASTING REEL

CAIMAN

Please order by parts number, not key number  
 Bitte, Best.-Nr. angeben (Nicht "key" -nr.)  
 Veuillez indiquer le numero de la pièce (Non "key" no.)

DJ200M / DJ200



| Key No. | Parts No.  | Parts Name                      |
|---------|------------|---------------------------------|
| 1       | 2E2-089-01 | A26M-045 SCREW                  |
| 2       | 2F6-043-02 | ROTOR NUT HOLDING PLATE         |
| 3       | 2E3-075-01 | HANDLE NUT                      |
| 4       | 2YH-312-01 | HANDLE TOTAL ASSEMBLY           |
| 5       | 2W2-058-01 | KEY WASH                        |
| 6       | 2E4-018-01 | RETAINER                        |
| 7       | 2F8-050-01 | CLICK LEAF SPRING HOLDER        |
| 8       | 2L3-029-01 | CLICK LEAF SPRING               |
| 9       | 2D4-008-02 | STAR DRAG LEVER                 |
| 10      | 2Q1-052-01 | STAR DRAG SPRING                |
| 11      | 2E3-029-01 | STAR DRAG NUT                   |
| 12      | 2W1-020-01 | 081-130 WASHER                  |
| 13      | 2L1-004-01 | SPRING WASHER                   |
| 14      | 2W1-035-05 | 080-105 WASHER                  |
| 15      | 2Z1-024-05 | 812-2.5 BALL BEARING            |
| 16      | 2A4-022-01 | ONE-WAY CLUTCH INNER TUBE       |
| 17      | 2E3-024-01 | CAST CONTROL NUT                |
| 18      | 2W5-026-01 | SPACER                          |
| 19      | 2W5-029-01 | CAST CONTROL SPACER             |
| 20      | 2E4-019-01 | BEARING RETAINER                |
| 21      | 2Z1-001-05 | 508-2.5 BALL BEARING            |
| 22      | 2E9-005-01 | O RING                          |
| 23      | 2E0-011-01 | RIGHT SIDE COVER SCREW          |
| 24      | 2W1-132-01 | 036-060 WASHER                  |
| 25      | 2YF-033-11 | RIGHT SIDE COVER ASSEMBLY       |
| 26      | 2E5-006-01 | E2.5 RETAINER                   |
| 27      | 2Q1-056-01 | RIGHT SIDE COVER SCREW SPRING   |
| 28      | 2YZ-007-01 | ONE-WAY CLUTCH BEARING ASSEMBLY |
| 29      | 2W2-032-01 | KEY WASHER                      |
| 30      | 2W1-126-01 | 082-210 WASHER                  |
| 31      | 2W3-017-01 | EARED WASHER                    |
| 32      | 2W1-111-01 | 100-230 WASHER                  |
| 33      | 2W2-025-01 | KEY WASHER                      |
| 34      | 2G1-027-01 | DRIVE GEAR                      |
| 35      | 2YG-023-01 | OSCILLATING GEAR ASSEMBLY       |
| 36      | 2A3-027-01 | RATCHET                         |
| 37      | 2M3-053-01 | DRIVE SHAFT                     |
| 38      | 2Z1-018-05 | 510-3 BALL BEARING              |
| 39      | 2G2-010-01 | PINION GEAR                     |
| 40      | 2Q1-031-01 | YOKE SPRING                     |
| 41      | 2A2-039-01 | PINION YOKE                     |
| 42      | 2E2-047-01 | A20M-065 SCREW                  |
| 43      | 2F8-030-01 | CLUTCH CAM RETAINER             |
| 44      | 2YA-035-01 | CLUTCH CAM ASSEMBLY             |
| 45      | 2Z1-010-05 | 812-3.5 BALL BEARING            |
| 46      | 2M2-003-01 | CLUTCH PLATE                    |

| Key No. | Parts No.     | Parts Name                |
|---------|---------------|---------------------------|
| 47      | 2Q3-086-01    | RETRACTOR SPRING          |
| 48      | 2F8-039-01    | GEAR SETTING PLATE        |
| 49      | 2E2-005-03    | B26M-080 SCREW            |
| 50      | 2W1-054-01    | 052-080 WASHER            |
| 51      | 2W1-070-01    | 052-080 WASHER            |
| 52      | 2E5-013-01    | E3.0 RETAINER             |
| 53      | 2YS-255-01    | SPOOL ASSEMBLY            |
| 54      | 2C2-057-01    | BRAKE COLLAR              |
| 55      | 2Z1-023-01    | 814-4 BALL BEARING        |
| 56      | 2F3-041-01    | CLICK GEAR                |
| 57      | 2W1-046-01    | 051-068 WASHER            |
| 58      | 2W1-078-01    | 072-100 WASHER            |
| 59      | 2C4-010-01    | LEVEL WIND GUARD          |
| 60      | 2YR-038-01    | LINE GUIDE ASSEMBLY       |
| 61      | 2M5-005-01    | LINE GUIDE PIN            |
| 62      | 2W1-100-01    | 020-068 WASHER            |
| 63      | 2E3-014-01    | LINE GUIDE NUT            |
| 64      | 2E2-034-01    | A20M-090 SCREW            |
| 65      | 2YB-095-08    | BODY ASSEMBLY             |
| 66      | 2YM-042-01    | WORM SHAFT ASSEMBLY       |
| 67      | 2E2-003-01    | B26M-036 SCREW            |
| 68      | 2P4-006-03    | LEVEL WIND GUIDE          |
| 69      | 2G3-015-01    | IDLE GEAR                 |
| 70      | 2W1-147-02    | 041-100 WASHER            |
| 71      | 2E0-035-01    | IDLE GEAR                 |
| 72      | 2C4-013-02    | CASTING BAR GUIDE A       |
| 73      | 2YS-085-02    | CASTING BAR ASSEMBLY      |
| 74      | 2C4-014-02    | CASTING BAR GUIDE B       |
| 75      | 2P2-021-01    | CASTING BAR PIN           |
| 76      | 2P4-008-03    | CASTING BAR SUPPORT       |
| 77      | 2E4-011-01    | BEARING RETAINER          |
| 78      | 2W5-015-01    | CAST CONTROL SPACER       |
| 79      | 2F6-032-01    | CLICK PLATE               |
| 80      | 2E2-022-01    | B20M-030 SCREW            |
| 81      | 2F5-108-10    | LEFT SIDE COVER           |
| 82      | 2E5-020-01    | E1.5 RETAINER             |
| 83      | 2YT-398-01    | SPOOL TOTAL ASSEMBLY      |
| 84      | 2F2-020-01    | CLICK SPRING              |
| 85      | 2F4-018-01    | CLICK PAWL                |
| 86      | 2F7-004-01    | CLICK SWITCH              |
| 87      | 2YS-257-01    | TIP OF SPOOL ASSEMBLY     |
| 88      | 2E6-017-01    | SPOOL SHAFT PIN           |
| 89      | 2X3-004-02    | WRENCH                    |
| DJ200   | SPECIAL PARTS |                           |
| 25      | 2YF-033-12    | RIGHT SIDE COVER ASSEMBLY |
| 53      | 2YS-083-03    | SPOOL ASSEMBLY            |
| 83      | 2YT-143-03    | SPOOL TOTAL ASSEMBLY      |